


b		Added two more views.		RSV	09.07.2010
Rev.		Revisions		Sign.:	Date:
				Released:	07.02.2005
Title:		Construction:		RSV	
Material:		Released:		Format:	A2
Weight:		Scale:		Scale:	1:5
Model no.		Itemno.:			
Drawingtype: Dimension Skecth		Drawing no.:		2B-127 b	
Location of file: G:\uud\1\tegringer\18&2B\2B Classic & 2B Standard Assembly.SLDASM					

This drawing is Morsø Jernstøberi A/S' property and must not be sold, lendet or copied without any written authorization from the company.

708

355

353

328

718

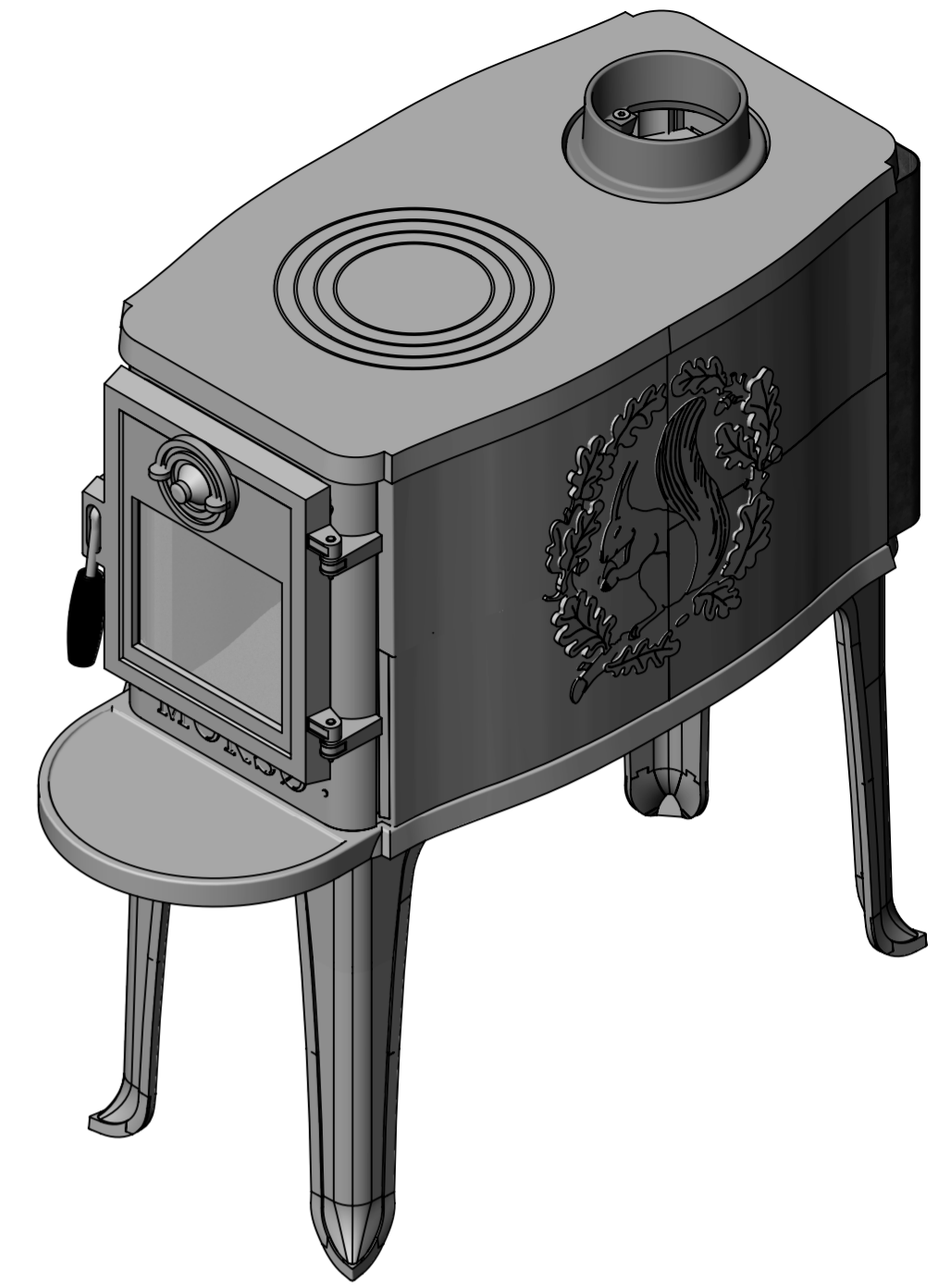
580


135

570

MORSØ

R126



Rev.	b	Added two more views.	RSV	09.07.2010
Revisions			Sign.:	Date:
			RSV	07.02.2005
Title:		Construction:		
Maalskitse		Released:		
2B Standard stråle EN		Format:	A2	
Morsø 2B Standard		Scale:	1:5	
Drawingtype: Dimension Skecth		Itemno.:		
Location of file: G:\uud\1\tegninger\18&2B\2B Classic & 2B Standard Assembly.SLDASM		Drawing no.:	2B-127 b	
				

This drawing is Morsø Jernstøberi A/S' property and must not be sold, lendet or copied without any written authorization from the company.