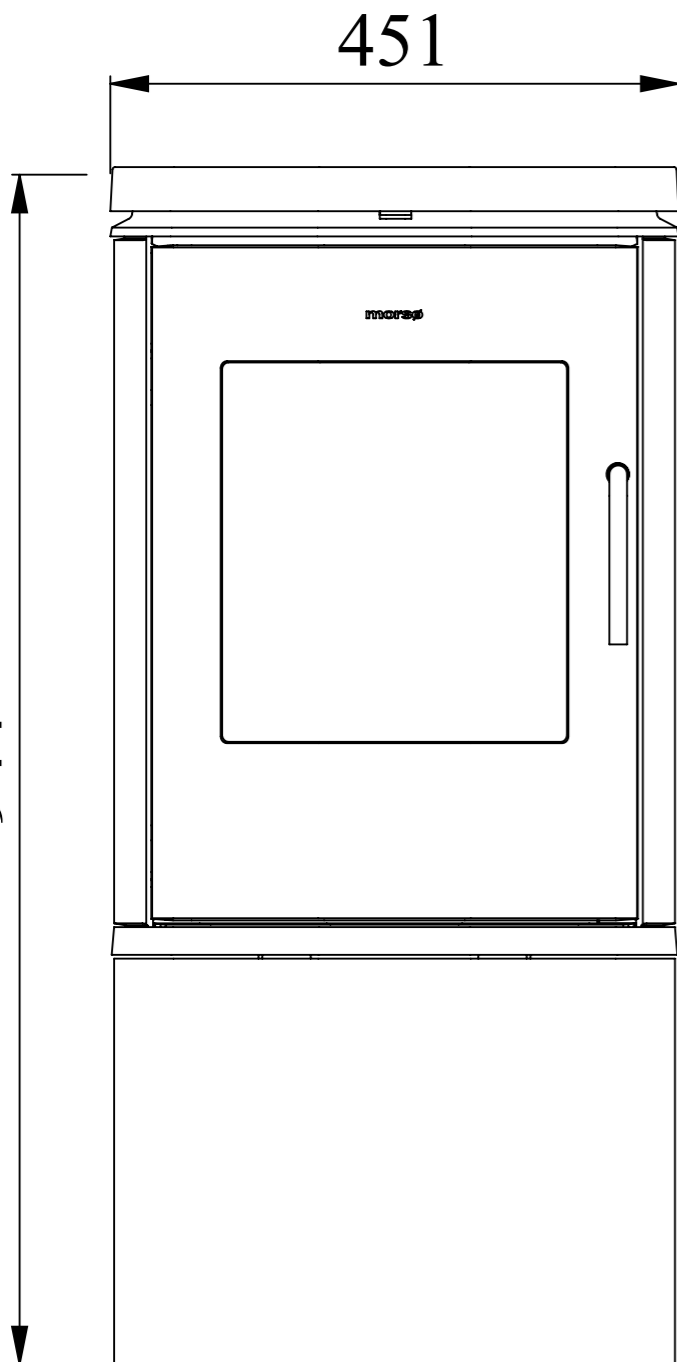


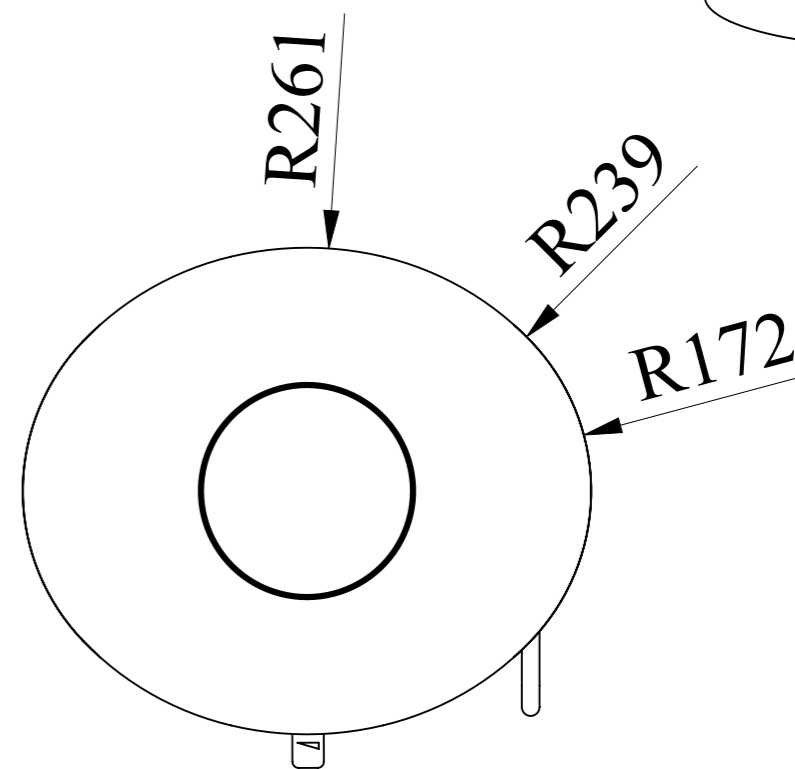
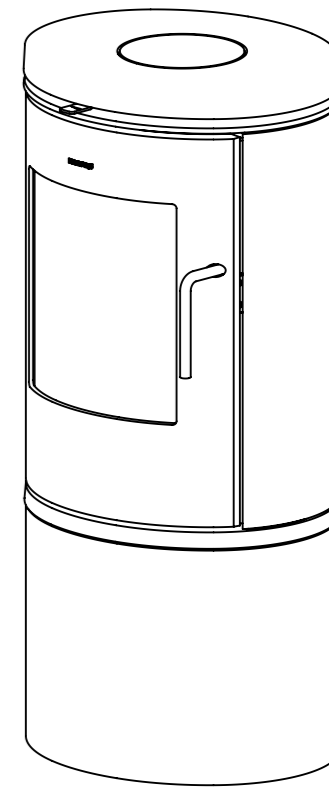
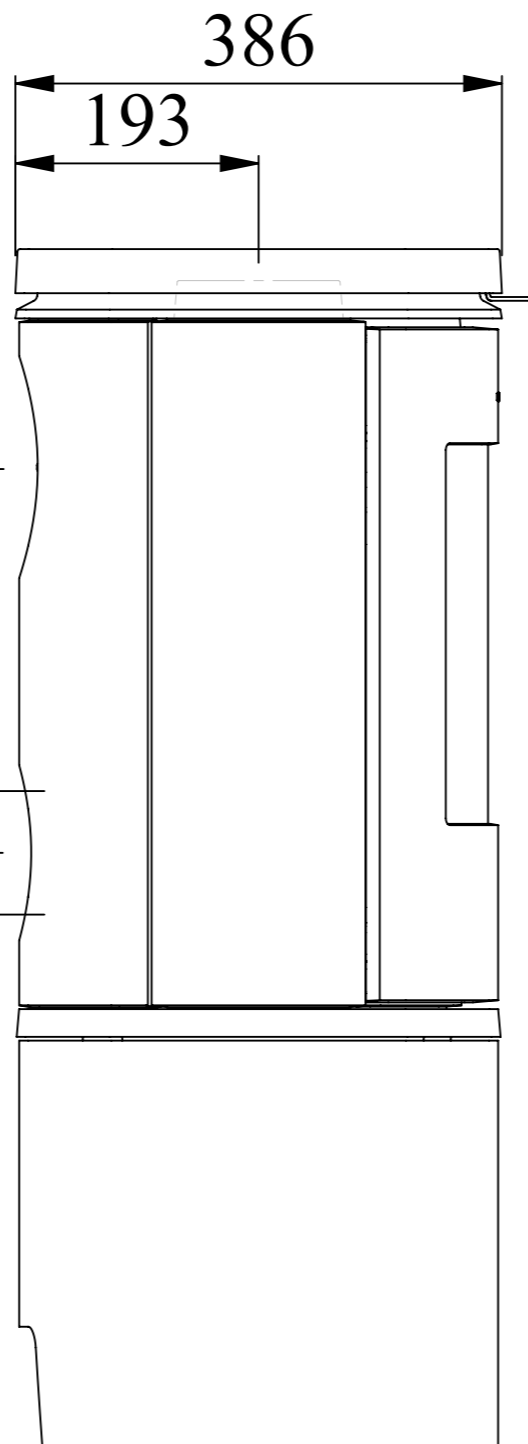
944



777

471

∅ 98



Date of print: 15-08-2013

Dim. without indication of margin acc. to ISO Norm No.: 8062 CT9		Rev. Revisions		Sign.:	Date:
Material:		Title:	Construction:	KDU	27.11.07
Weight:		Målskitse 6143	Released:		
Model no.:		Morsø 6100	Format:	A3	
Drawingtype:	Assembly Instructions	morsø <small>By appointment to the Royal Danish Court</small>	Scale:	1:6	
Location of file:	C:\UDV\tegninger\6100\6100 Assembly.SLDASM		Itemno.:		
			Drawing no.:	Side 1 of 1	
			6100-91 a		

This drawing is Morsø Jernstøberi A/S' property and must not be sold, lended or copied without any written authorization from the company.