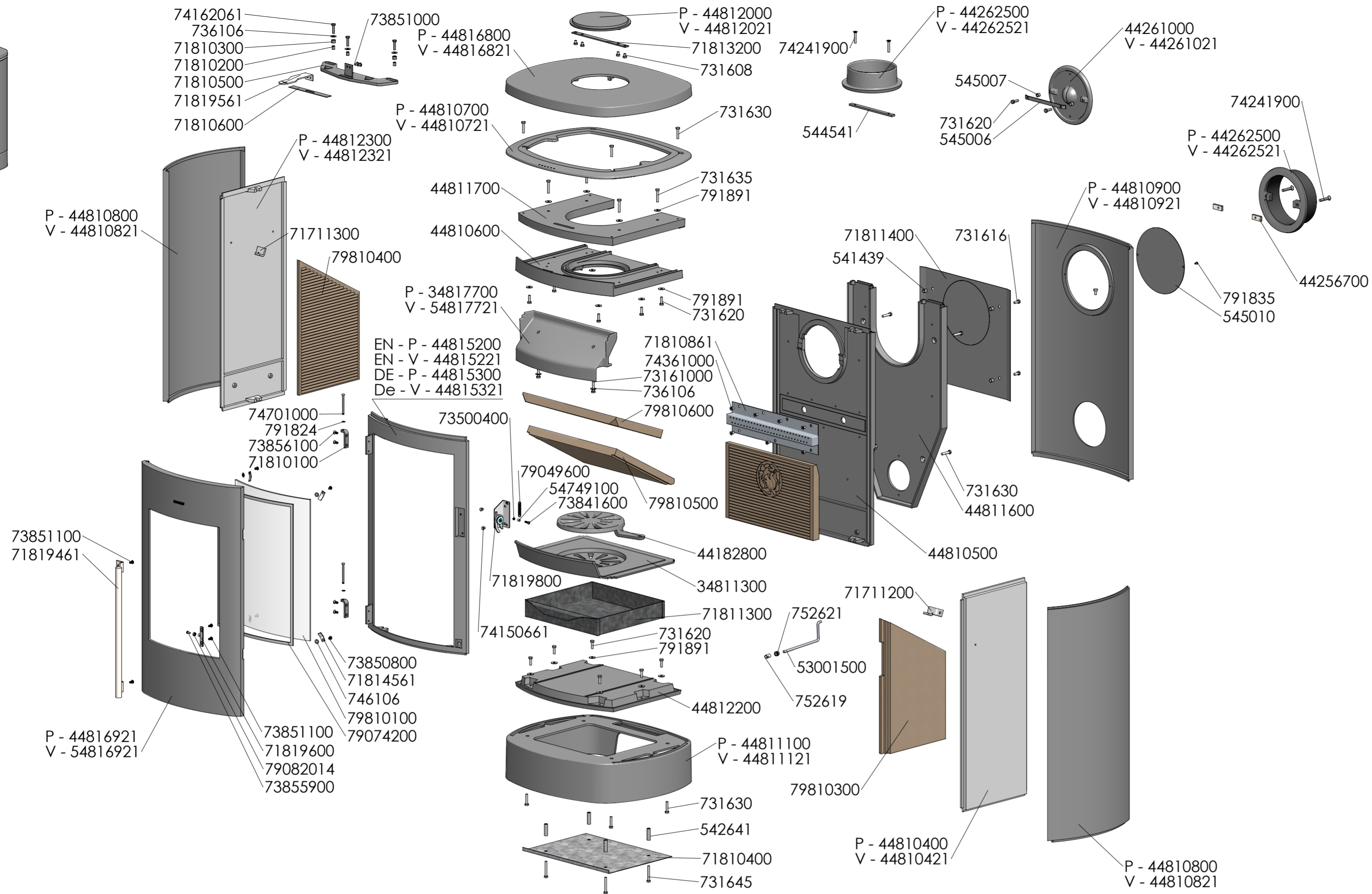
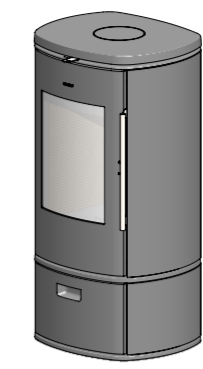


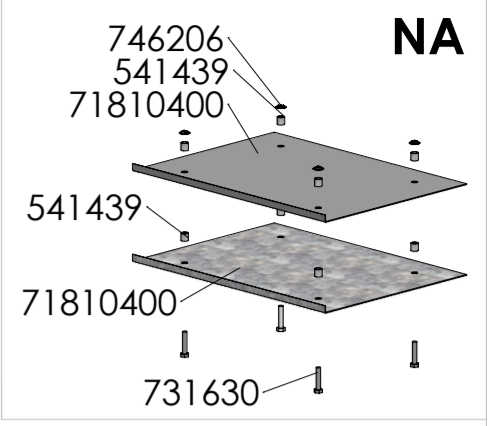
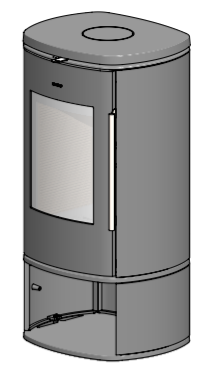
8840



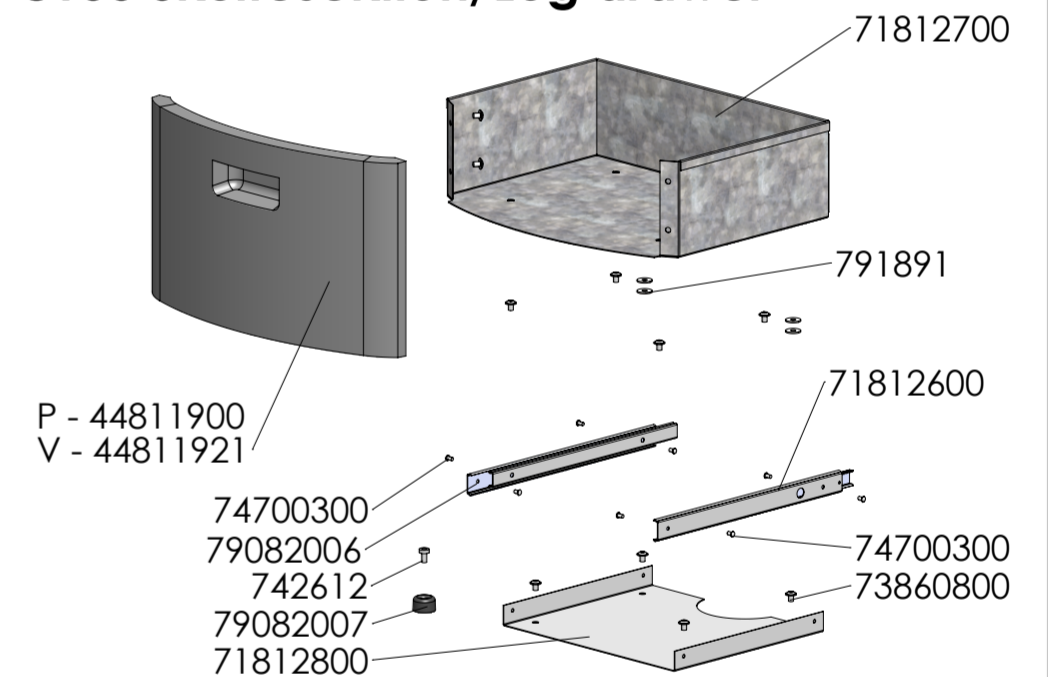
8842



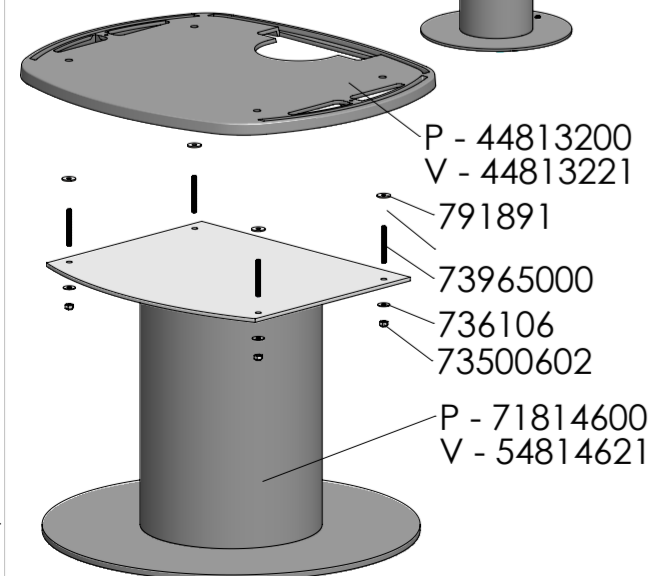
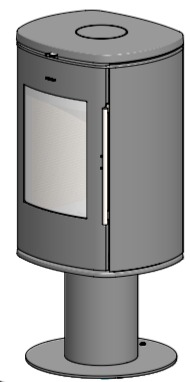
8843



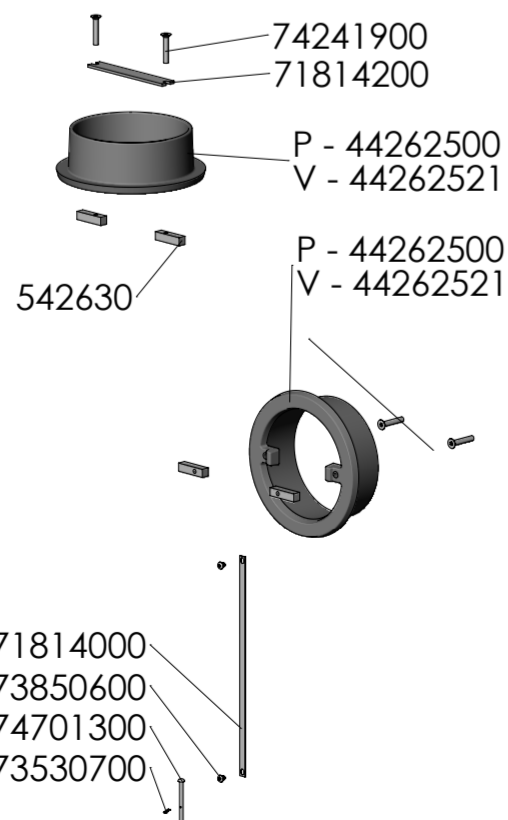
8100 Skuffesektion/Log drawer



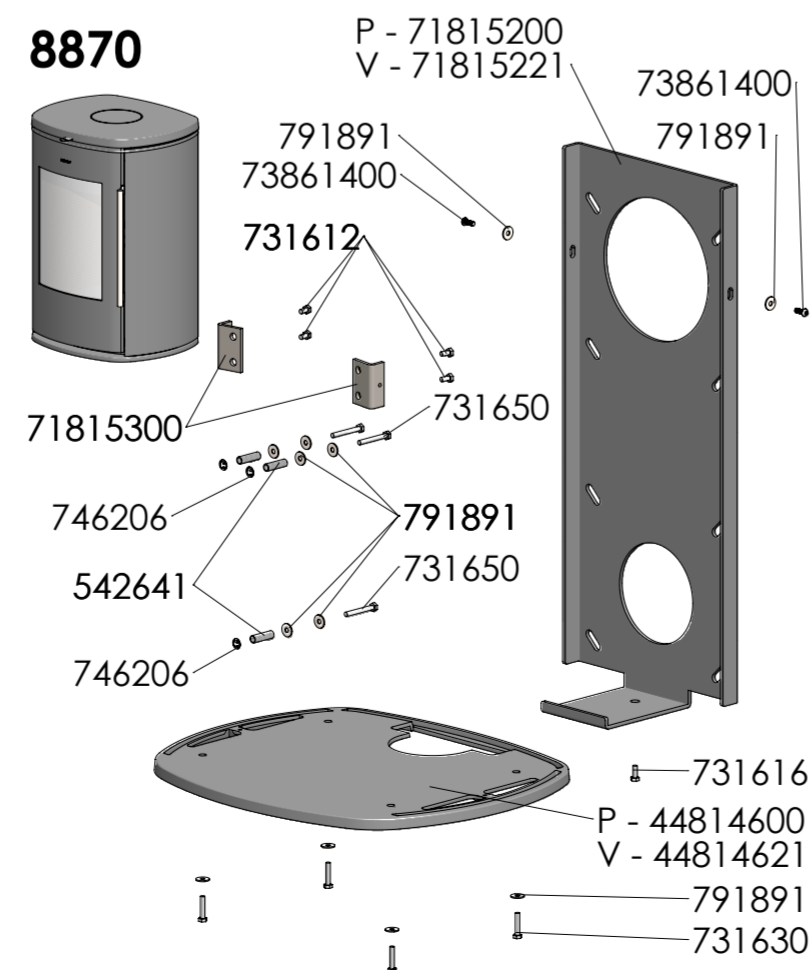
8848



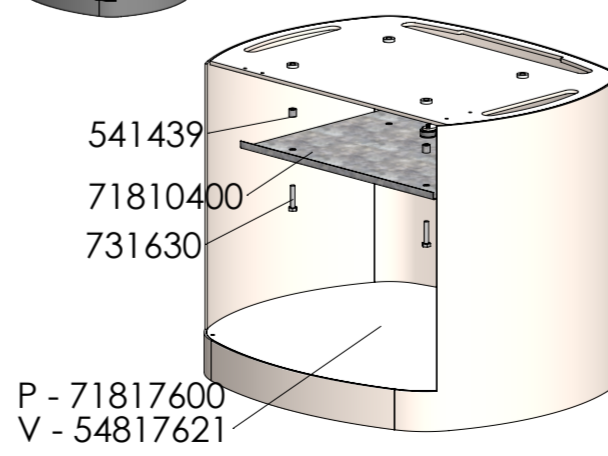
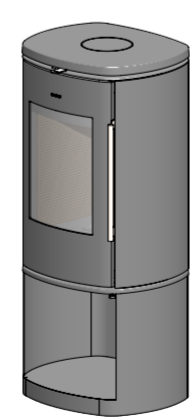
DIN



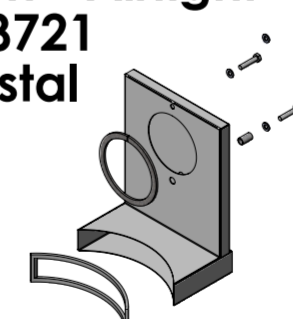
8870



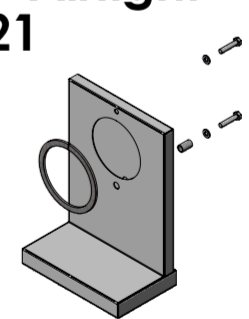
8893



Option - Airtight Pedestal



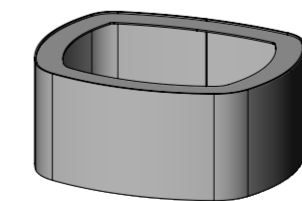
Option - Airtight Base



Option - Airtight Rear



Option - 54817321



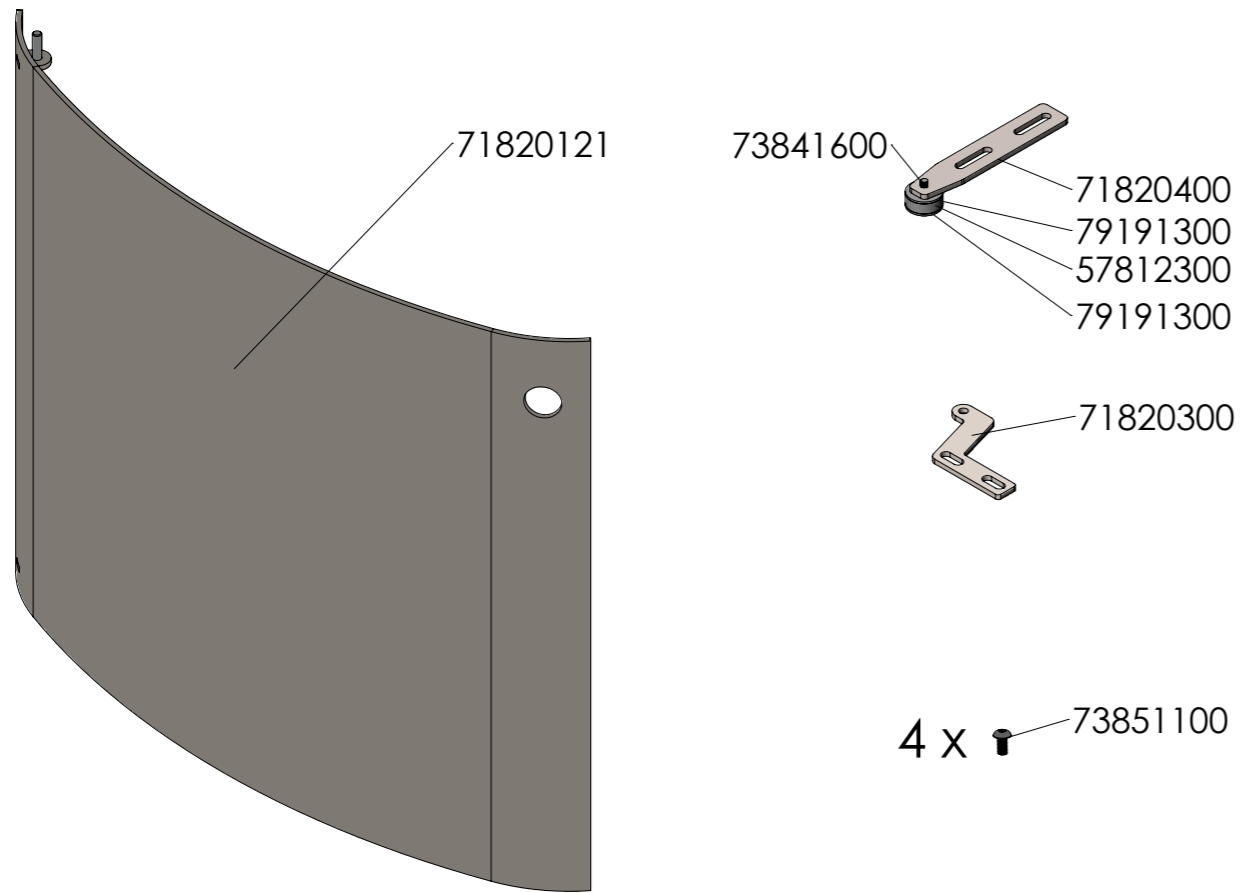
Revision tabel			
REV.	DESCRIPTION	DATE	APPROVED
h	Changed front air canal	22-06-2020	NRN
i	Added base door	15/08/2023	NRN

Sign.: _____ Date: _____


Title:	Construction:	TOL	28.05.2015
8800 N-EN & DIN	Released:		
Reservedelstegning	Format:	A2	
Morsø 8800	Scale:	-	
	Itemno.:		
	Drawing no.:		Page 1 of 2
			8100-505 i

Material:	
Weight:	
Model no.:	
Drawingtype:	Exploderet tegning
Location of file:	C:\Morsø\PM\Projekt\Ovn\8100\8100 Samling_SLD\ASM

8893 - Base door - 54819121



Date of print: 16/08/2023

Dim. without indication of margin acc. to DS/ISO 2768-1 m		Title: 8800 Exploded view	Drawn by:	NRN	17-08-2020
Material:			Last saved:	NRN	16/08/2023
Weight kg.:	3.80	Morsø 8800	Format:	A3	
Model no.:			Scale:	1:10	
Borefixturer:			Itemno.:		
Drawingtype:			Drawing no.: Page 2 of 2		
Location of file:			8100-505 i		

This drawing is Morsø Jernstøberi A/S' property and must not be sold, lended or copied without any written authorization from the company.