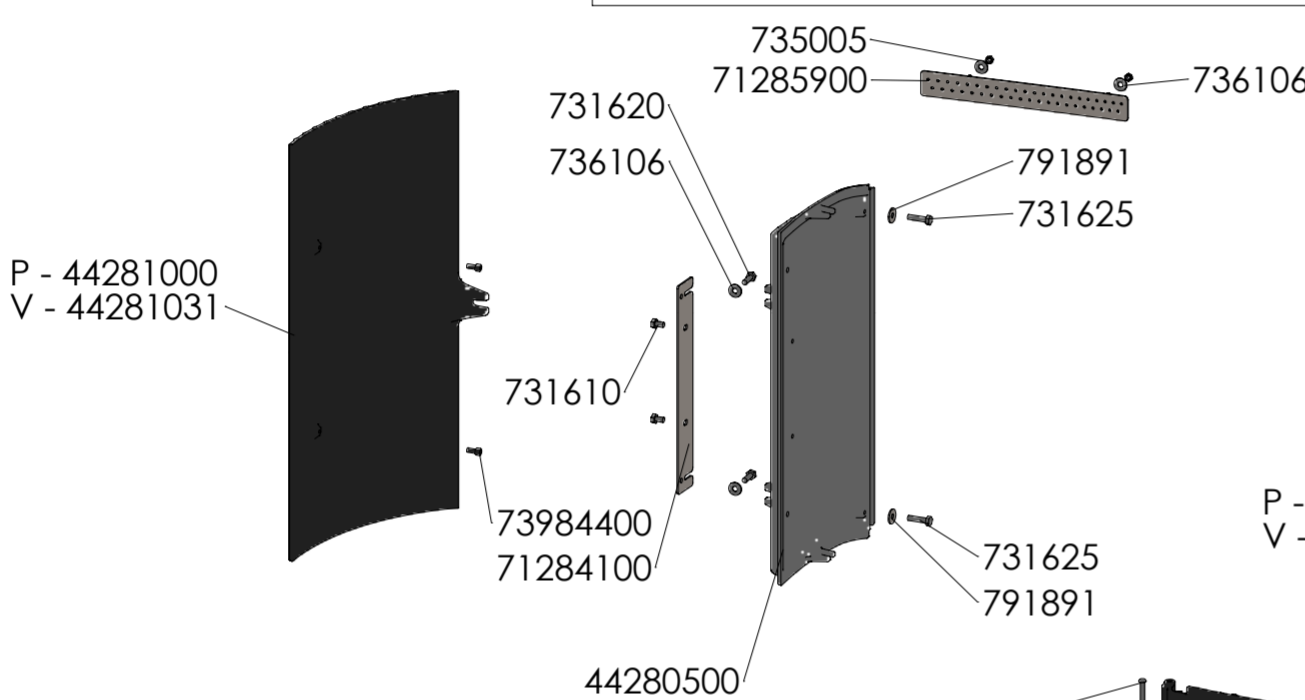
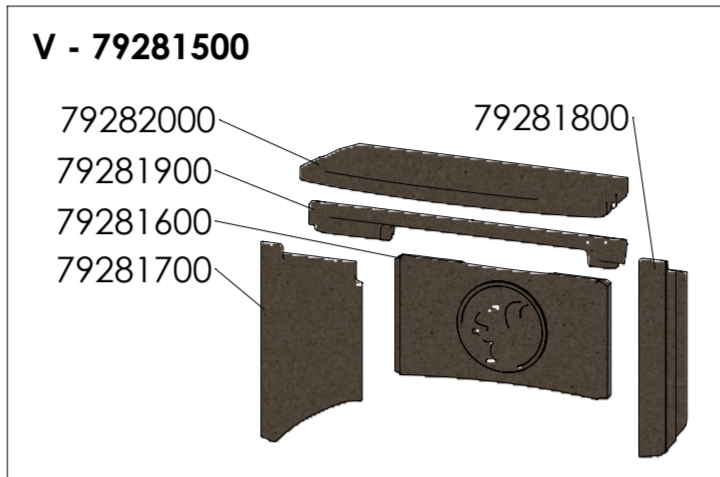
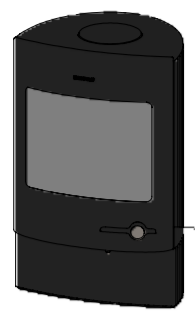
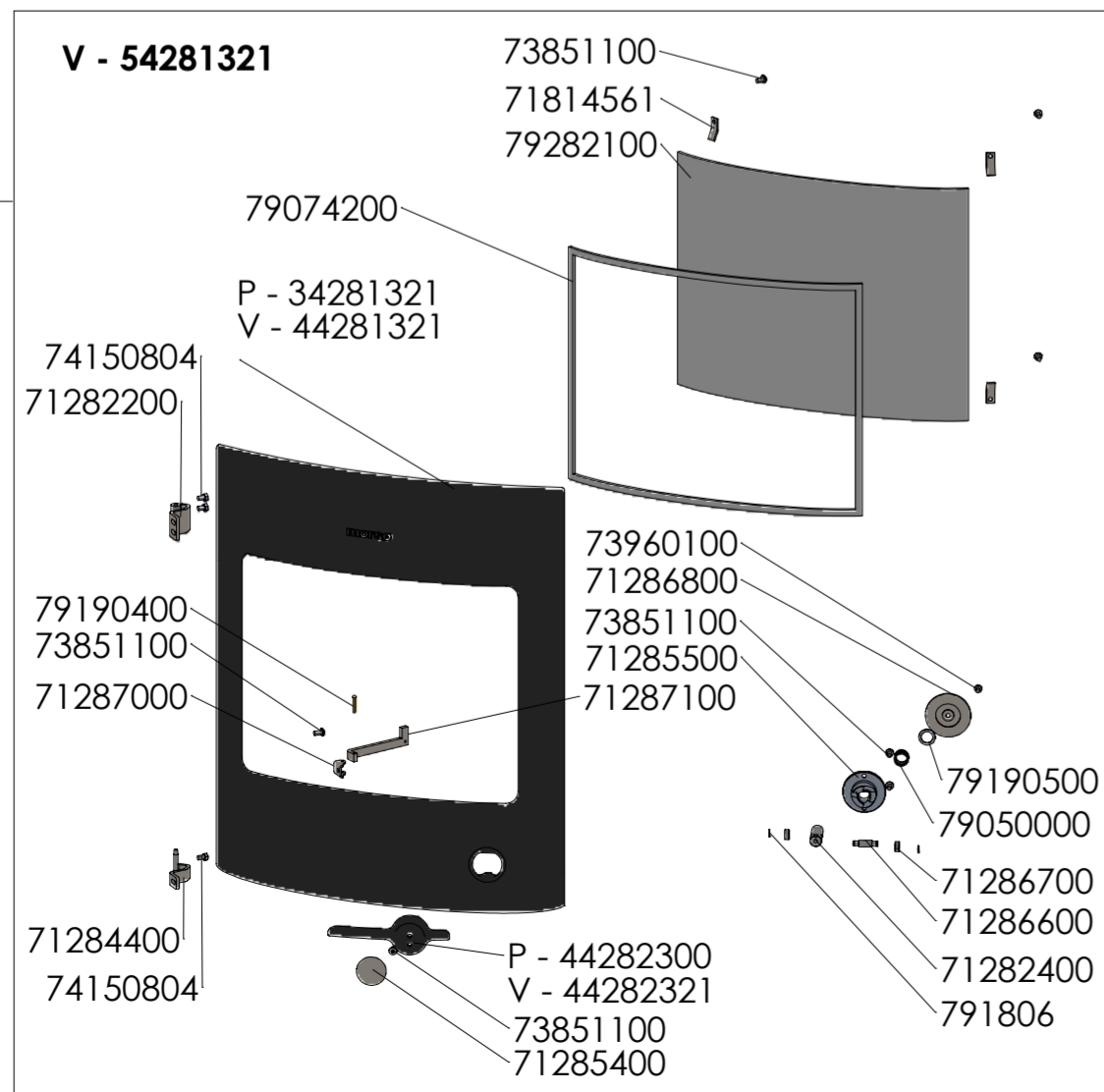


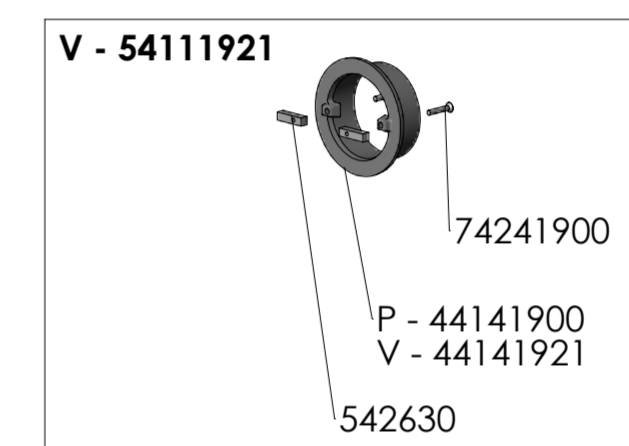
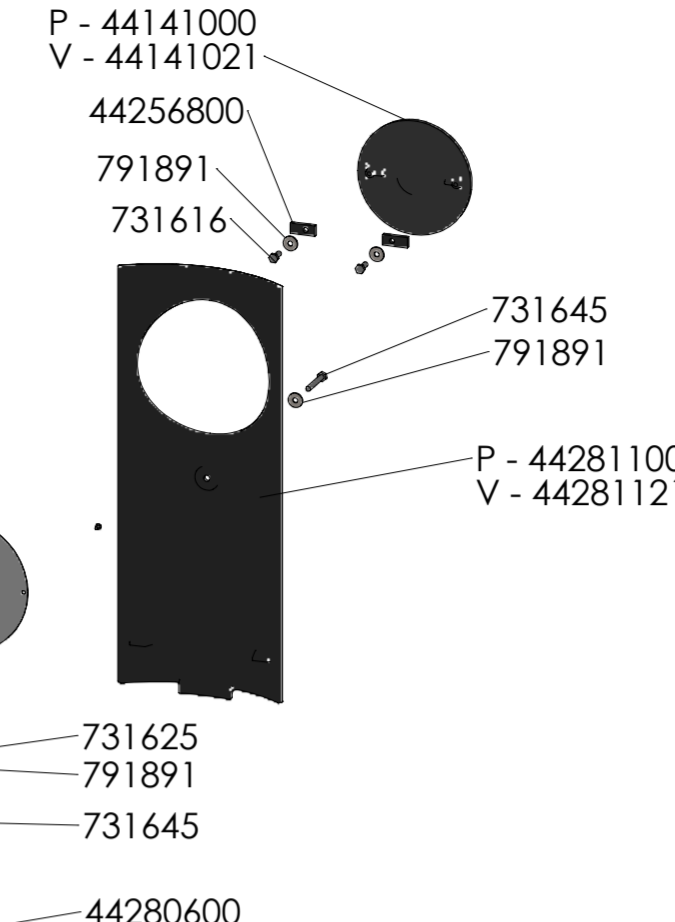
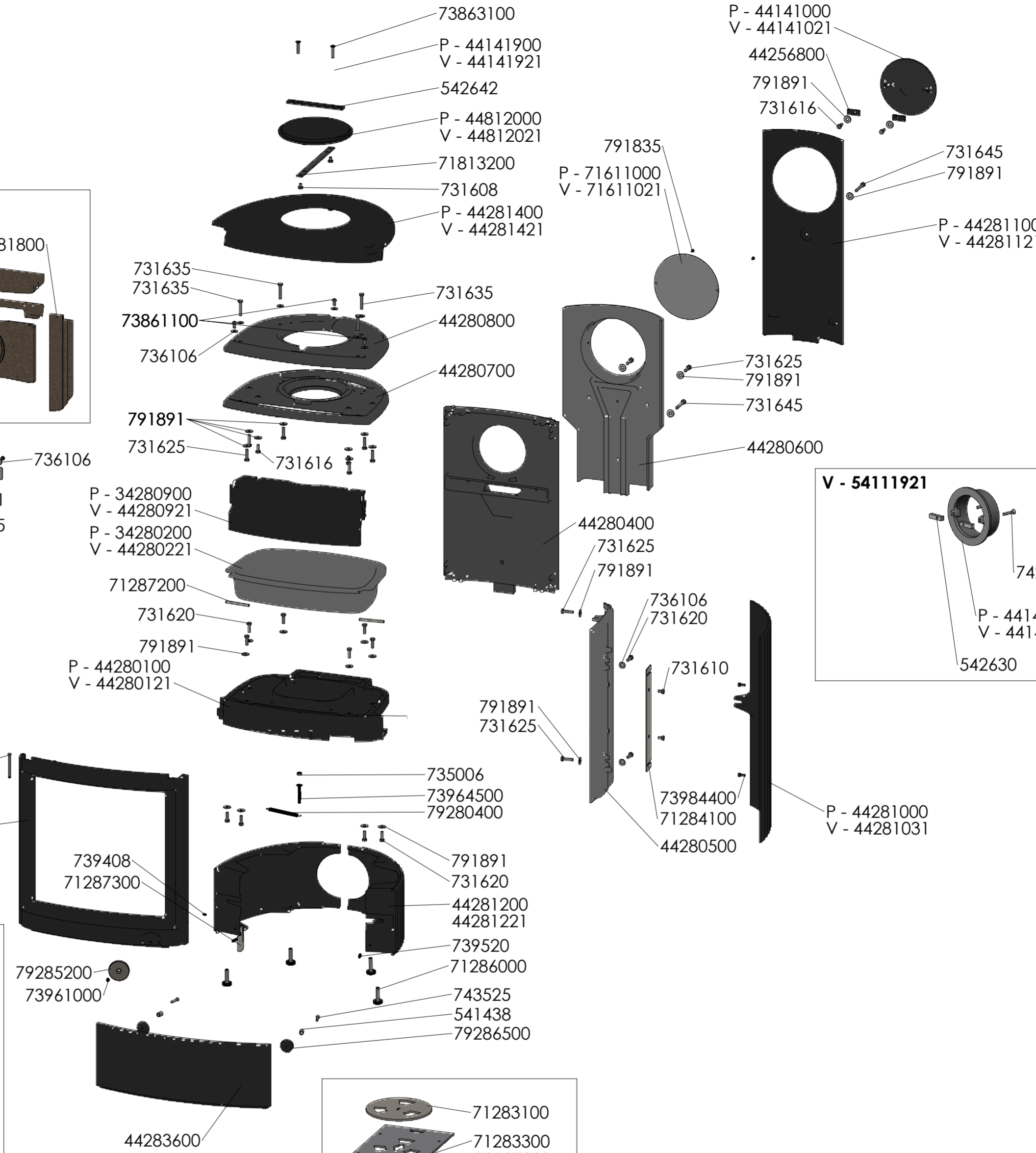
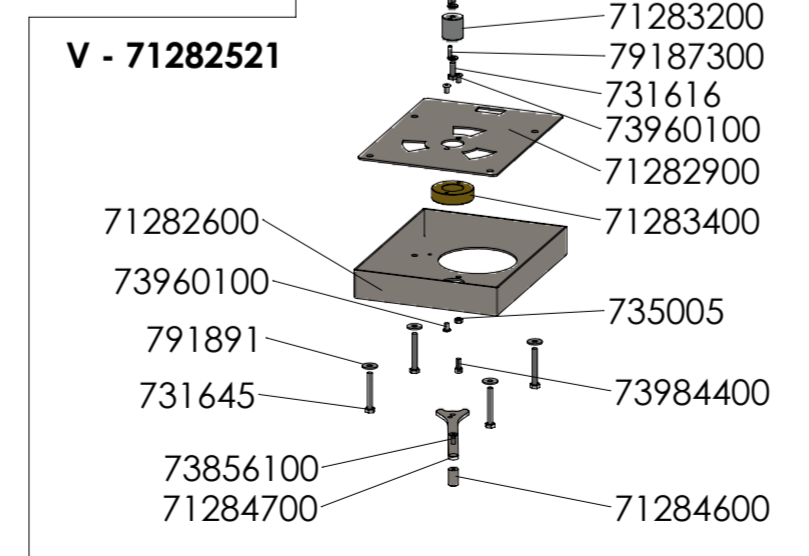
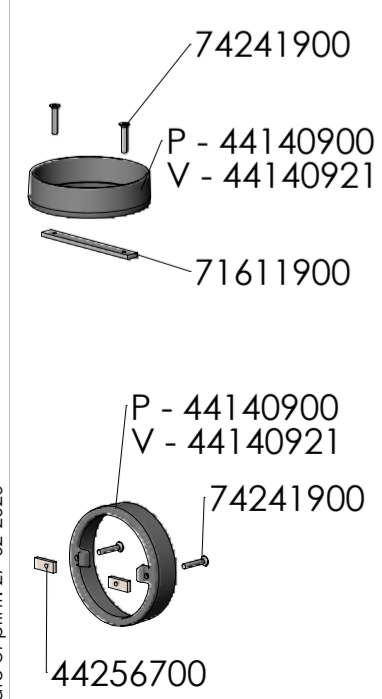
2840



E



2800 UK



A		28-11-2018	
Rev.:	Description	Date	Sign.:

Revisions			
Construction:	NRN	28.11.2018	
Released:			
Format:		<b>A2</b>	
Scale:		<b>1:9</b>	
Itemno.:			
Drawing no.:			<b>2800-500 b</b>

Material:	
Weight kg.:	105.95
Model no.:	
Drawingtype:	
Location of file:	

Title:  
**2800 N-EN**  
**Reservedelstegning**  
**Morsø 2800**

Date of print: 27-02-2020