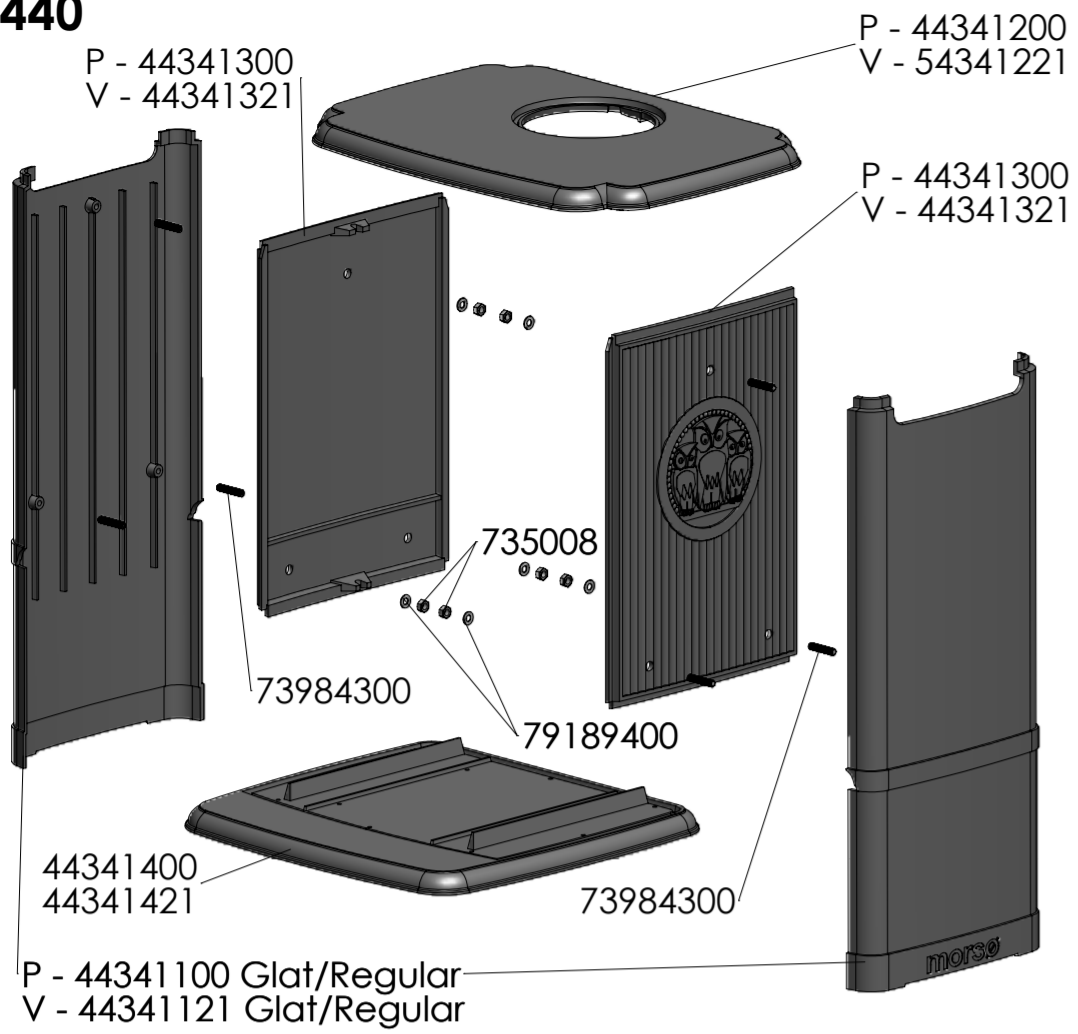
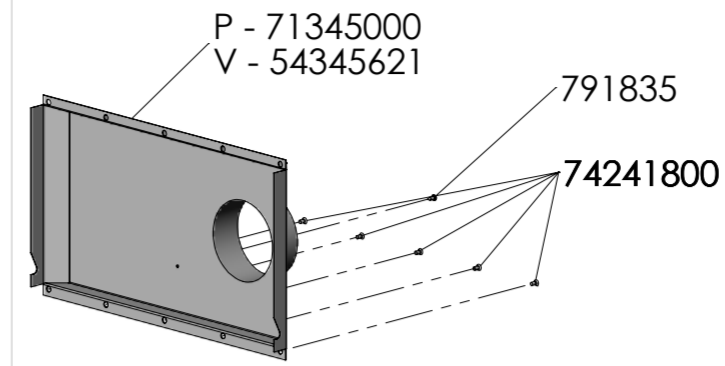


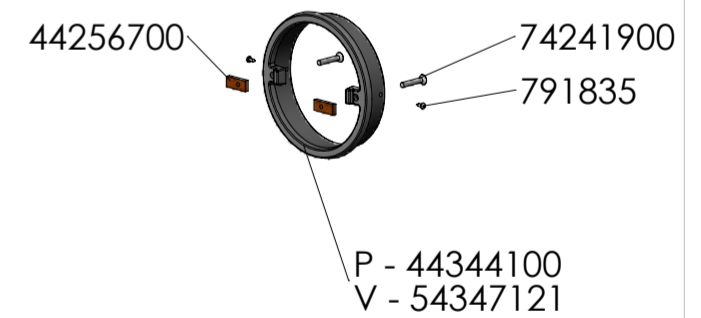
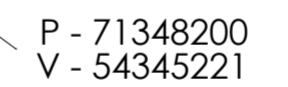
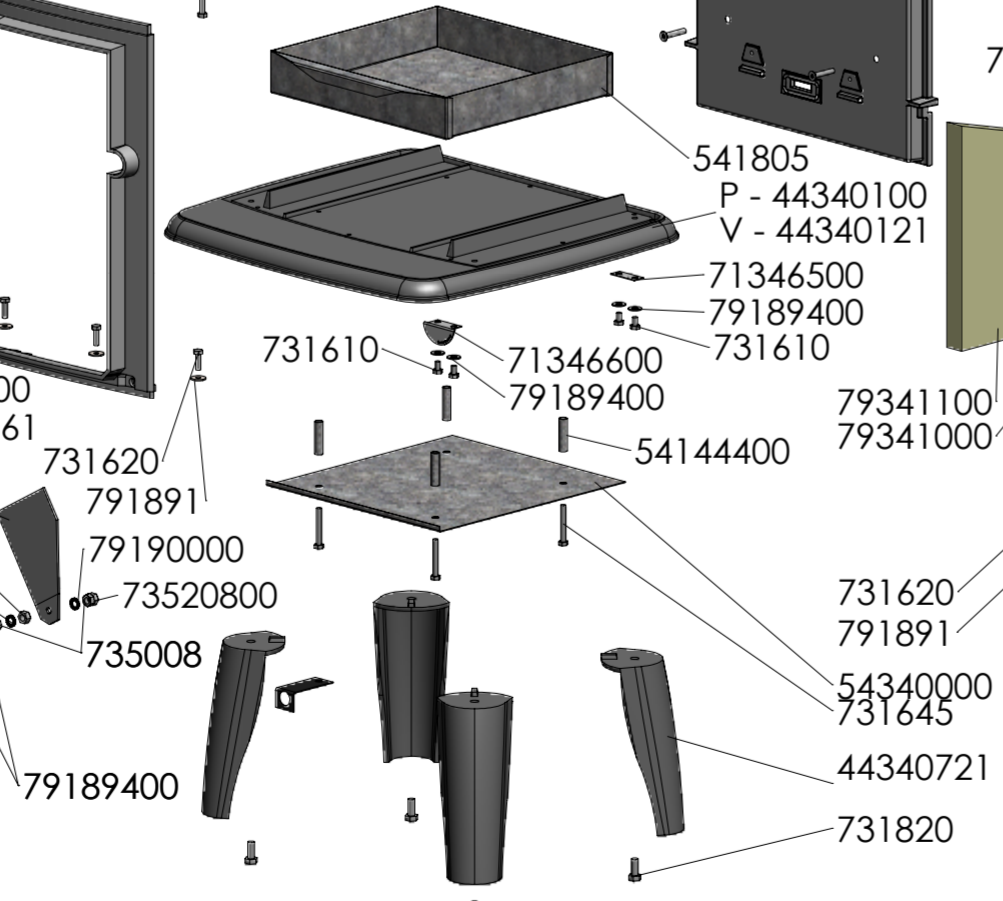
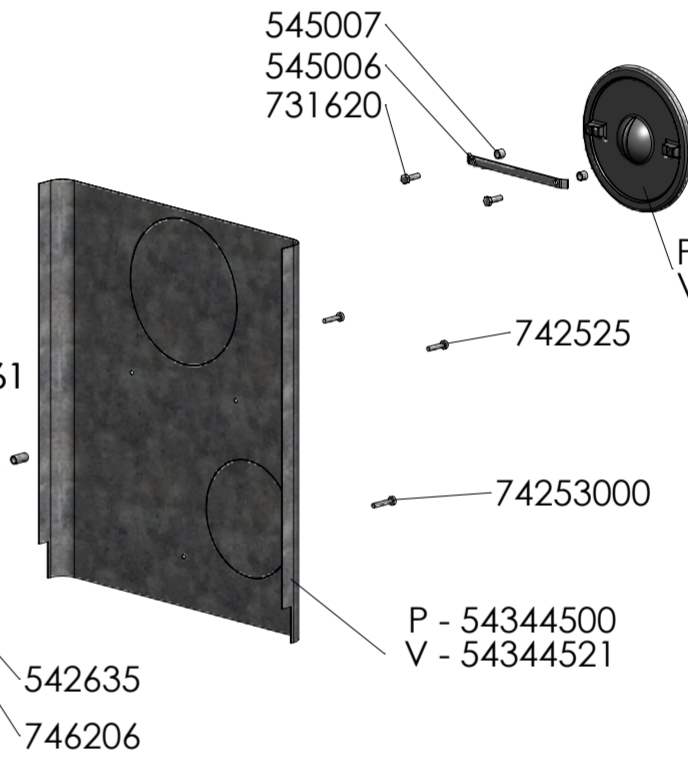
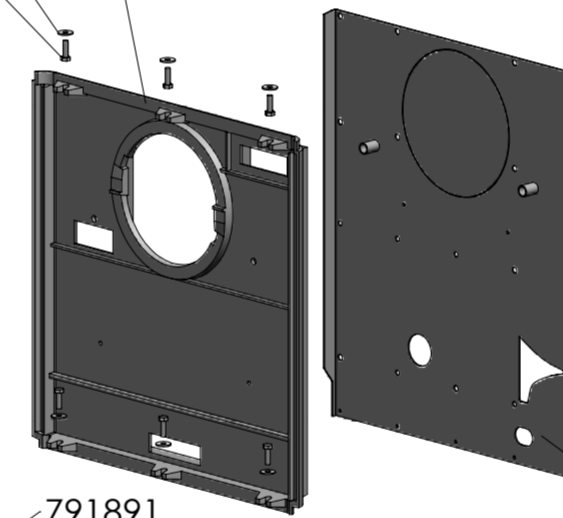
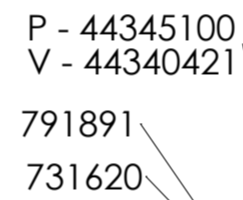
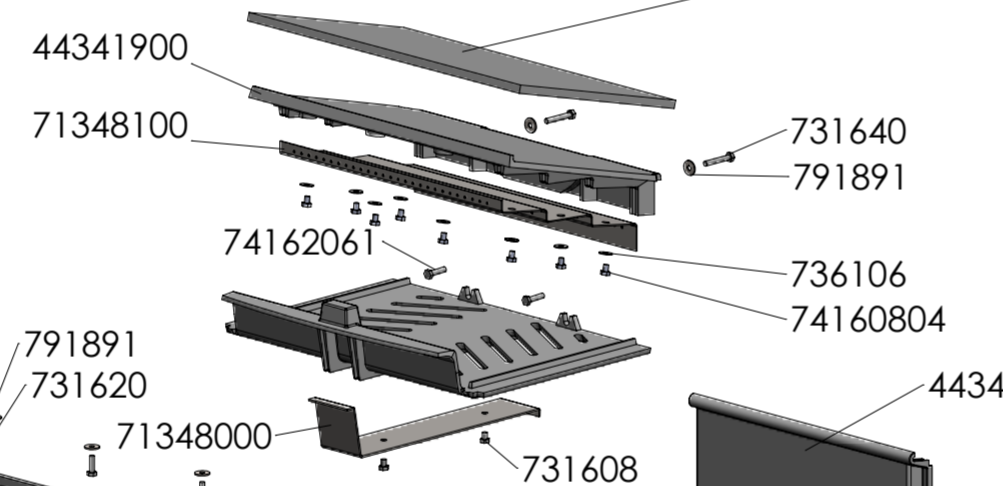
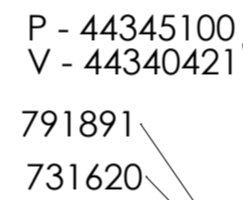
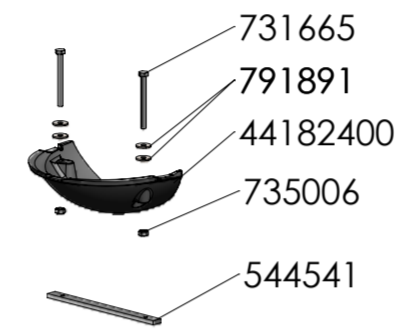
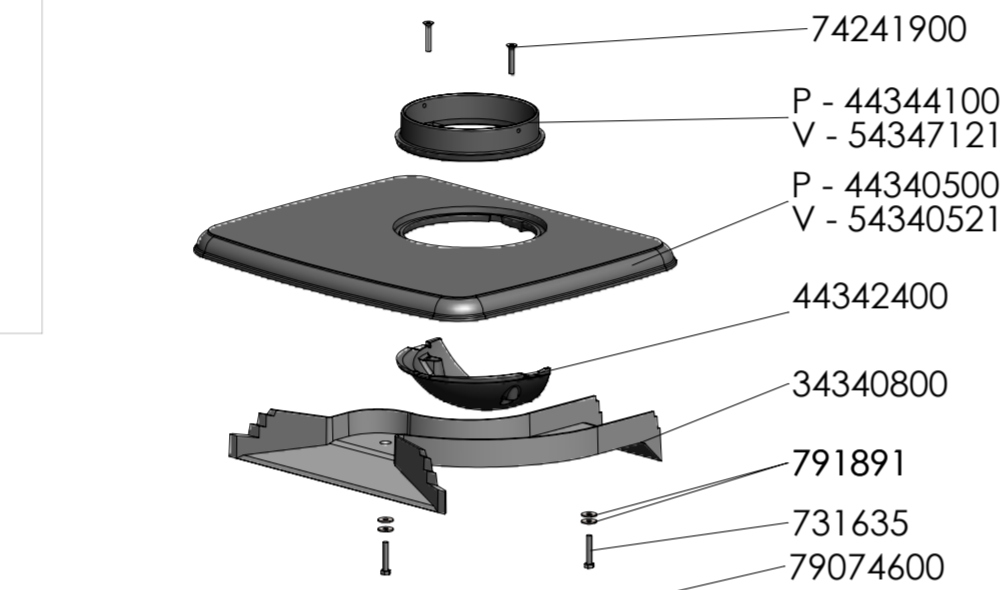
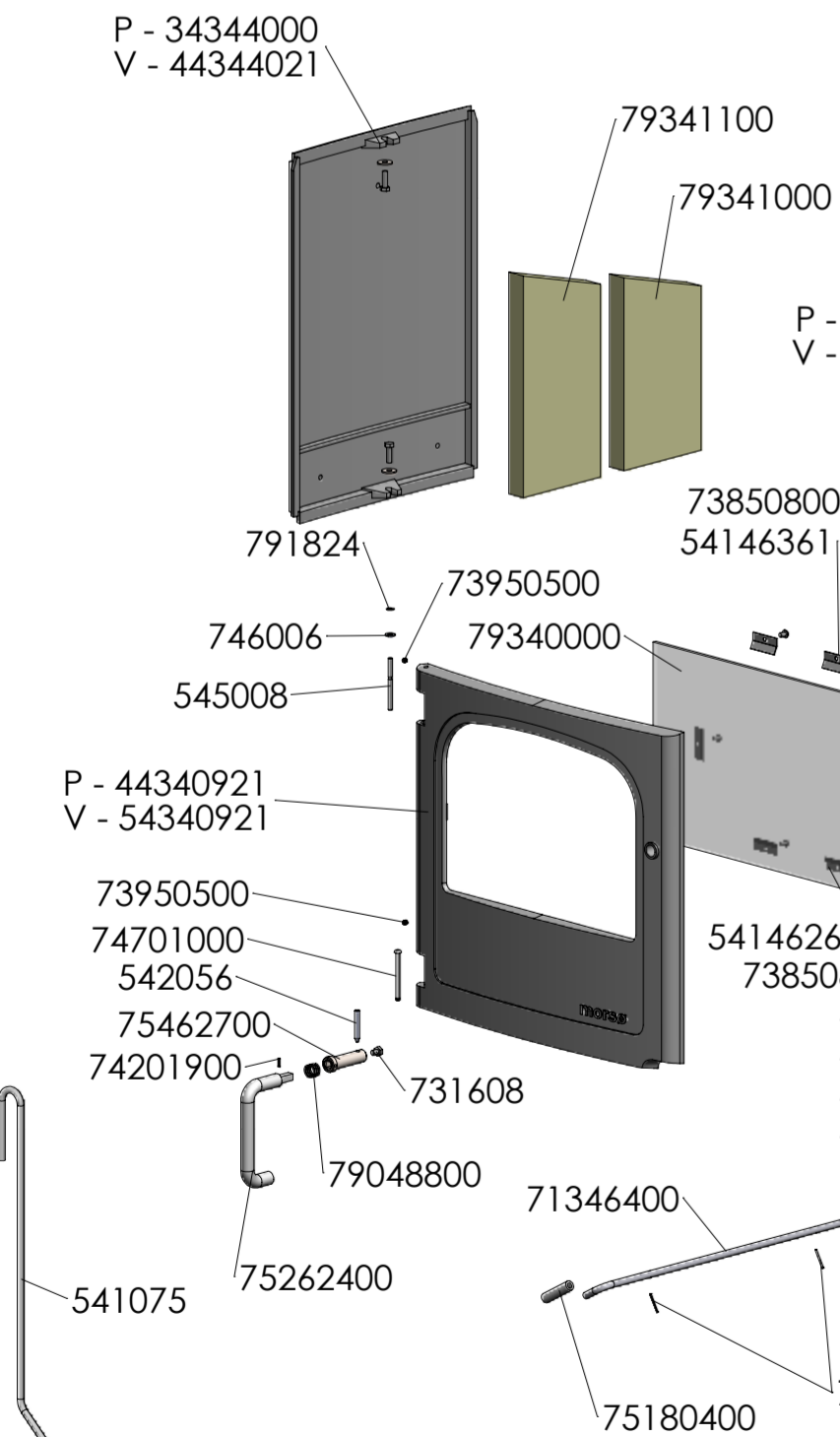
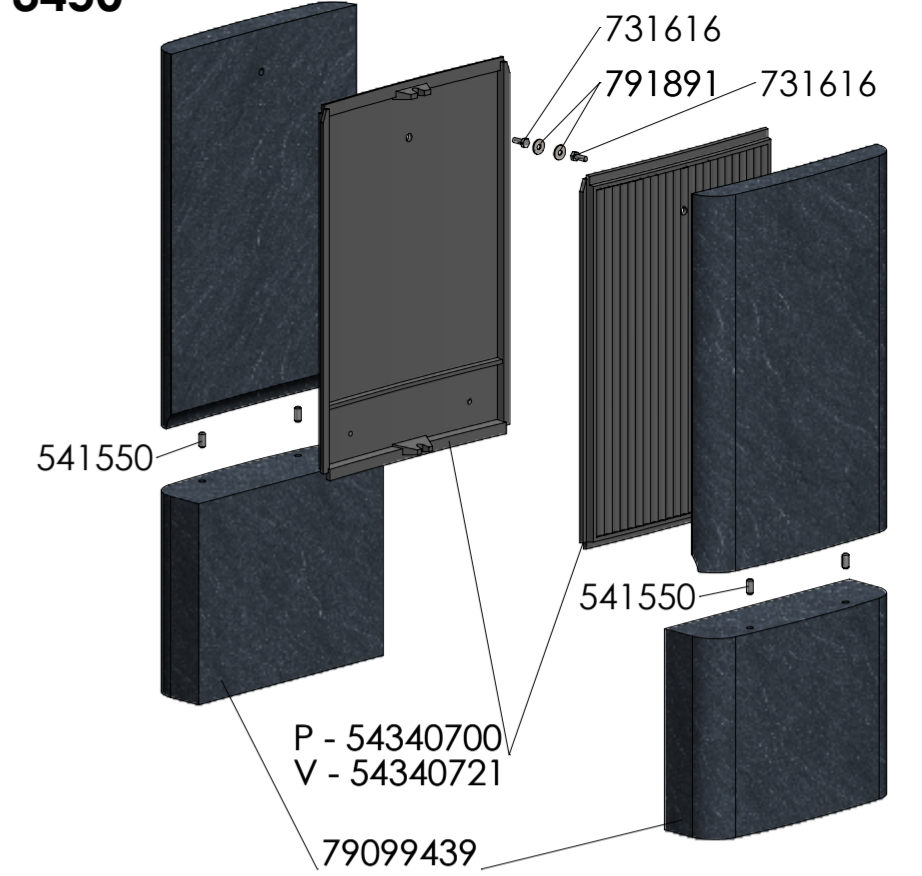
3440



Airtight kit



3450



| Revision tabel | | | |
|----------------|--|------------|----------|
| REV. | DESCRIPTION | DATE | APPROVED |
| k | Ændret bolte til monteringen af røgtud | 22-06-2018 | RSV |
| l | Udskiftning af dørskrue | 25-01-2019 | NRN |

Sign.: Date:

| | | | | |
|--|--|---------------|-------------------|----------|
| Title: | | Construction: | KDU | 24.08.04 |
| Material: | | Released: | | |
| Weight: | | Format: | A2 | |
| Model no.: | | Scale: | 1:9 | |
| Drawing type: Reservedelstegning | | Item no.: | - | |
| Location of file: C:\uud\1\tegninger\3400\REGARD\3400_Sortering_31.DWG | | Drawing no.: | 3400-516 I | |
| | | morsø | | |

This drawing is Morsø Jernstøberi A/S' property and must not be sold, lent or copied without any written authorization from the company.