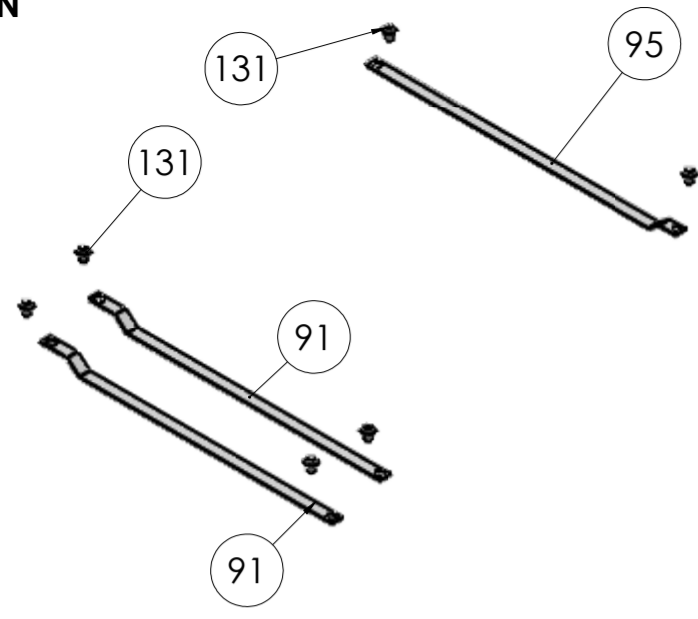
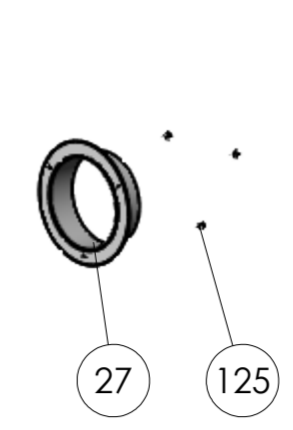


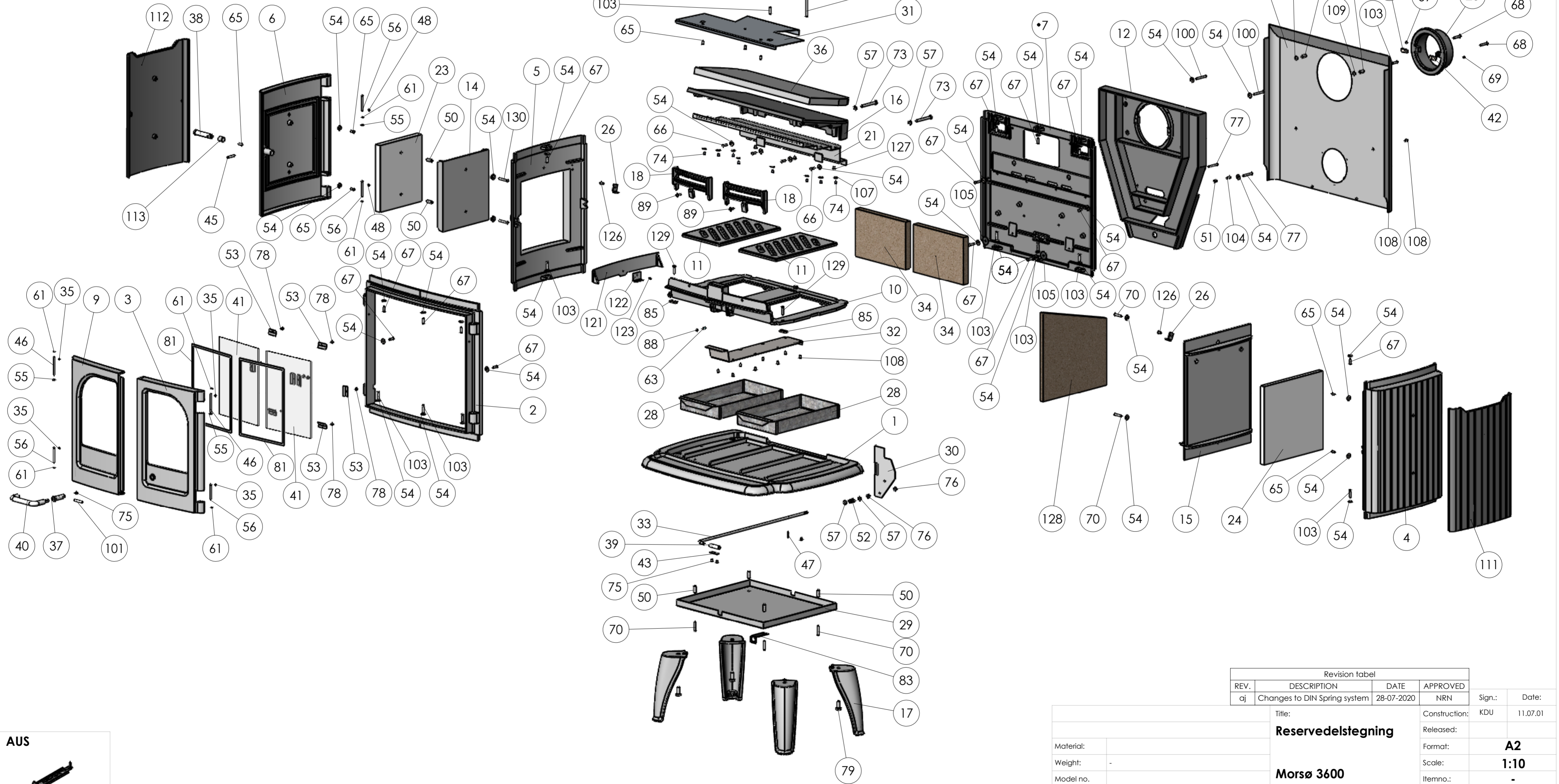
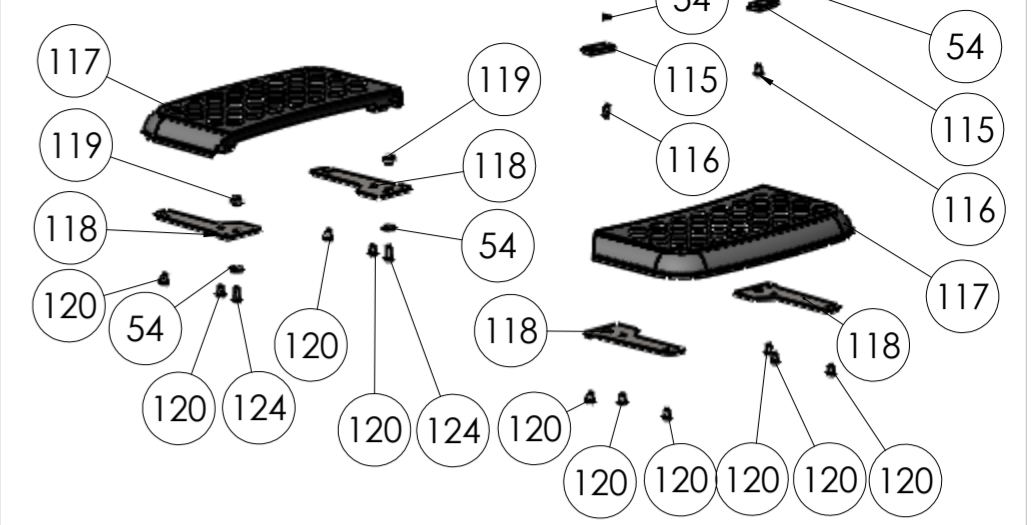
DIN



Option - Airadaptor 3610/3640



Option - Shelves 3610/3640



AUS



Revision tabel				Sign.:	Date:
REV.	DESCRIPTION	DATE	APPROVED		
aj	Changes to DIN Spring system	28-07-2020	NRN	KDU	11.07.01

Title:		Construction:	
<b>Reservedelstegning</b>		Released:	
Material:		Format: <b>A2</b>	
Weight:		Scale: <b>1:10</b>	
Model no.:		Itemno.: -	
Drawingtype: Exploderet tegning		Drawing no.: <b>3600-501 aj</b>	
Location of file: C:\uud\1\tegninger\3600\3600_samling_31.DWG			

This drawing is Morsø Jernstøberi A/S' property and must not be sold, lent or copied without any written authorization from the company.

Date of print: 28-07-2020