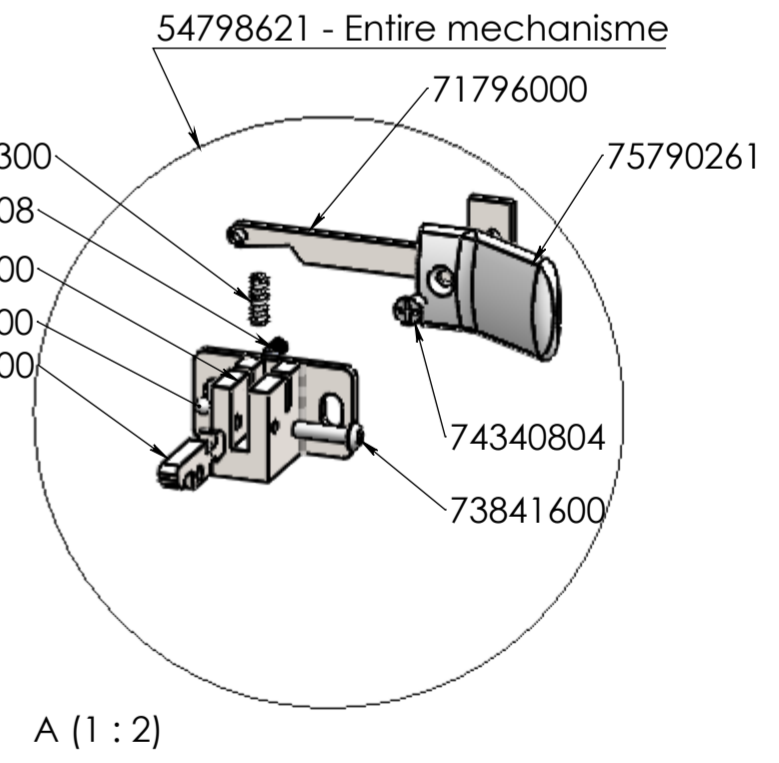
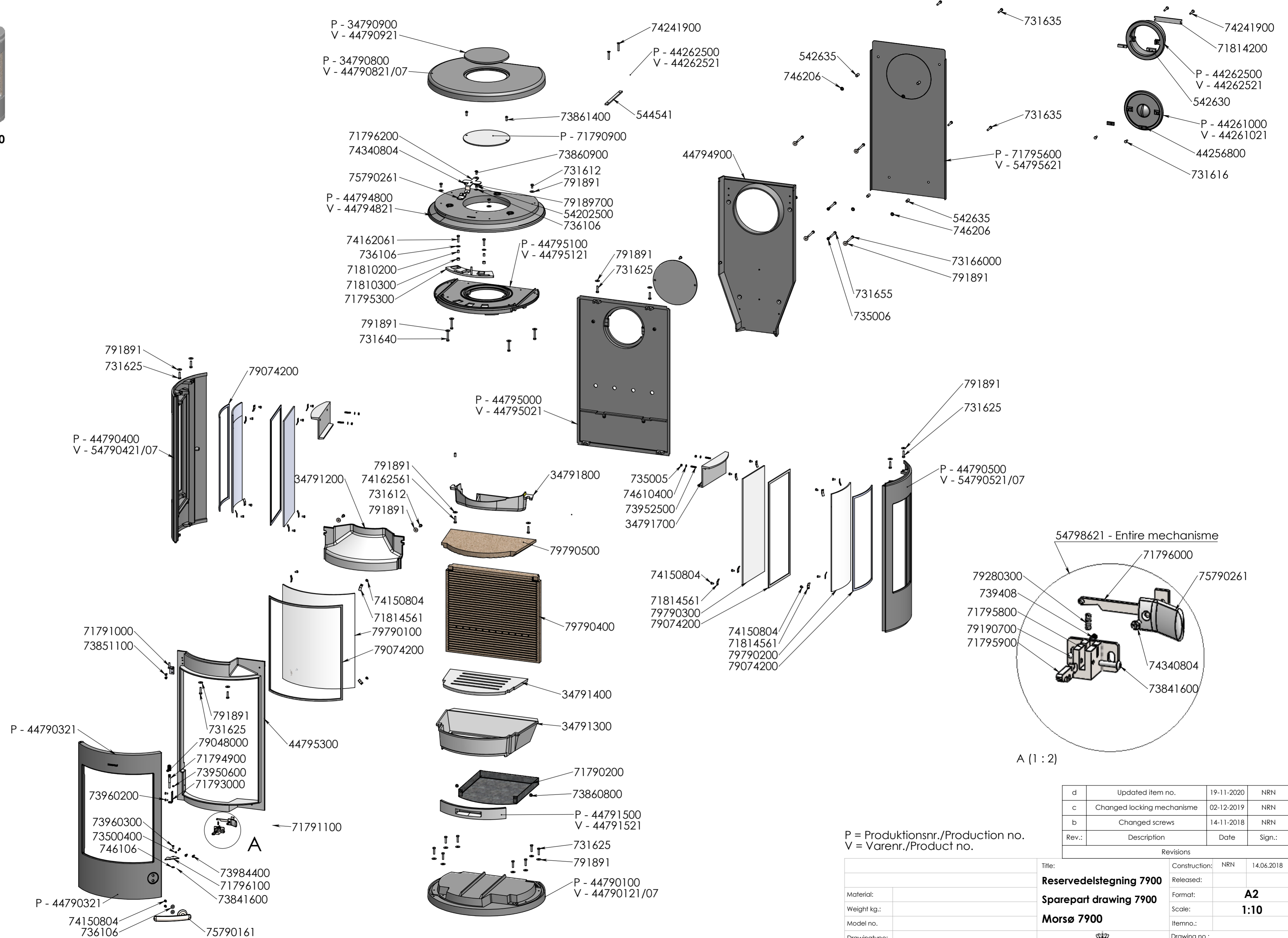


Basic 7900



P = Produktionsnr./Production no.  
V = Varenr./Product no.

Rev.:	Description	Date	Sign.:
d	Updated item no.	19-11-2020	NRN
c	Changed locking mechanism	02-12-2019	NRN
b	Changed screws	14-11-2018	NRN

Revisions

Title:	Construction:	NRN	14.06.2018
<b>Reservdelstegning 7900</b>	Released:		
<b>Sparepart drawing 7900</b>	Format:	<b>A2</b>	
<b>Morsø 7900</b>	Scale:	<b>1:10</b>	
	Itemno.:		
	Drawing no.:	<b>7900-504 d</b>	



This drawing is Morsø Jernstøberi A/S' property and must not be sold, lent or copied without any written authorization from the company.