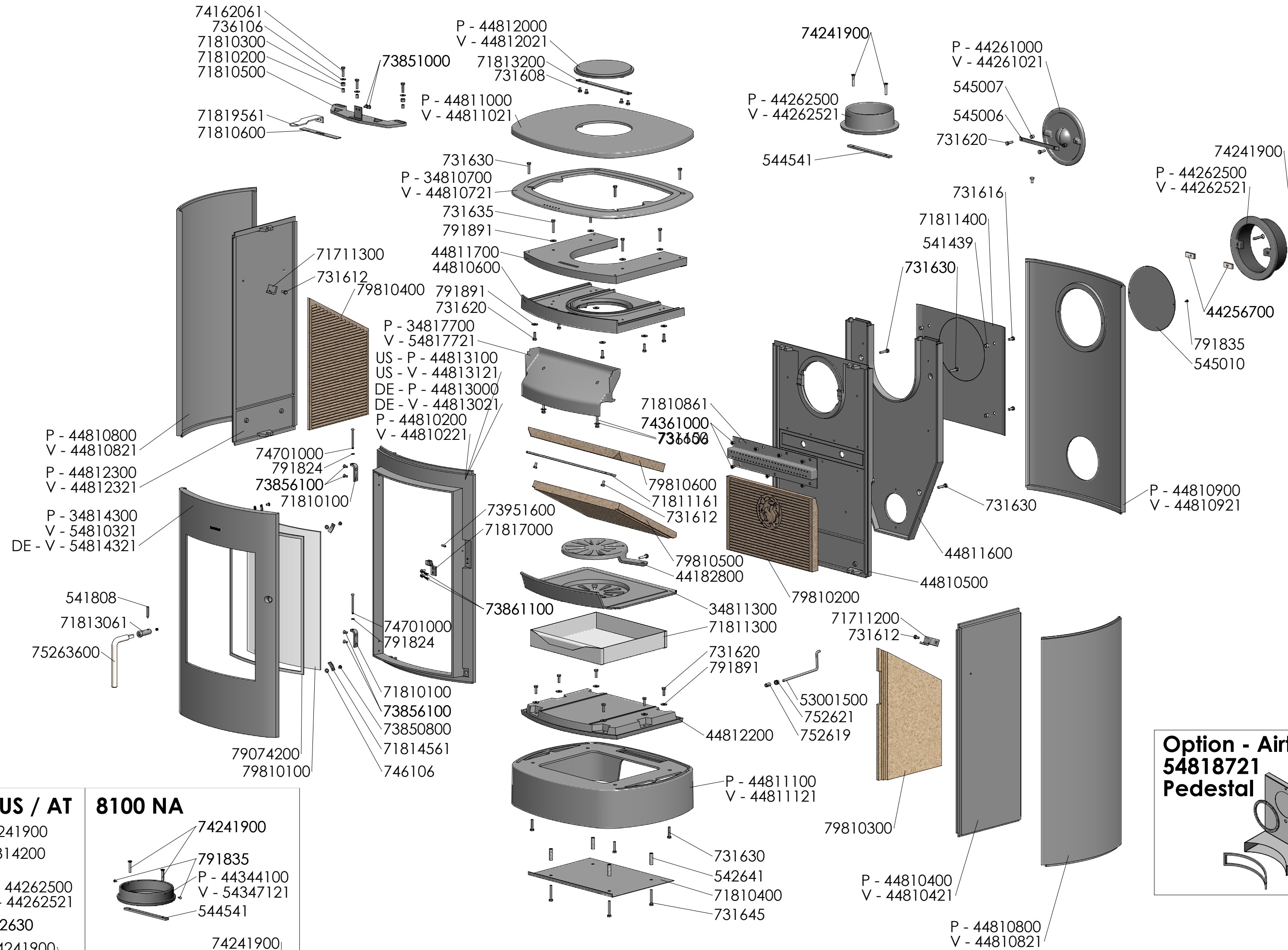
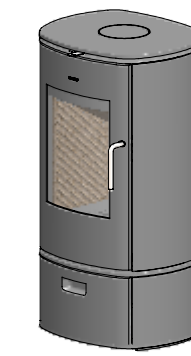


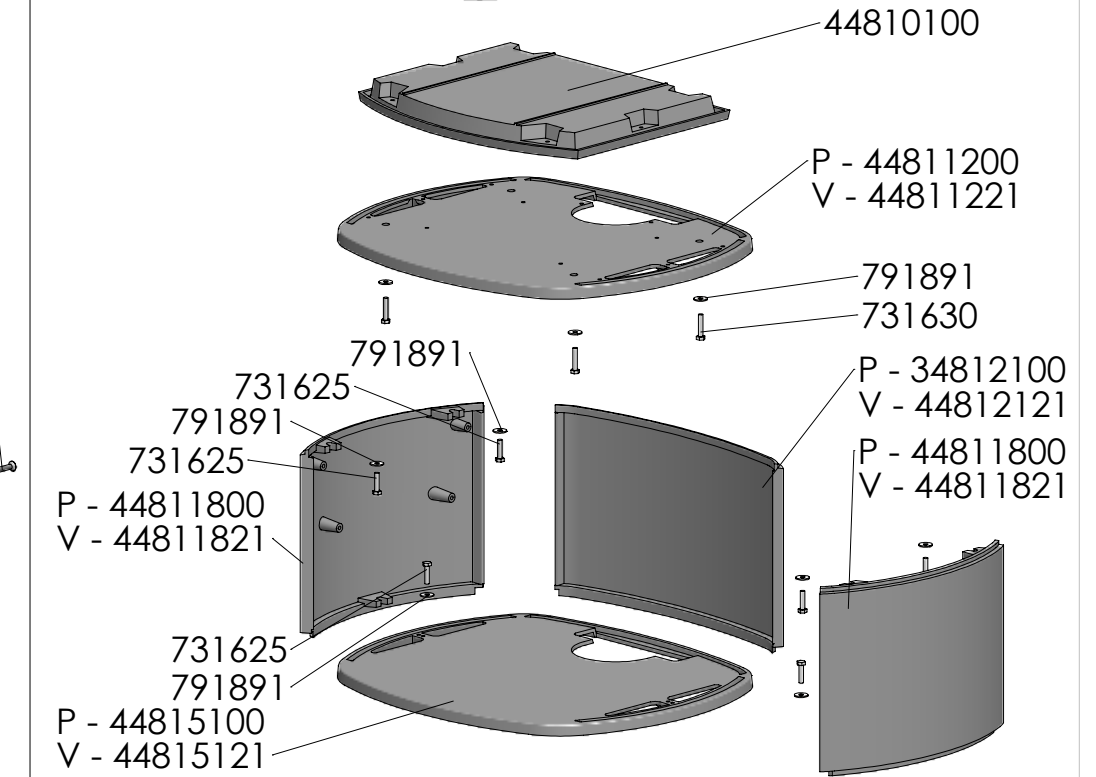
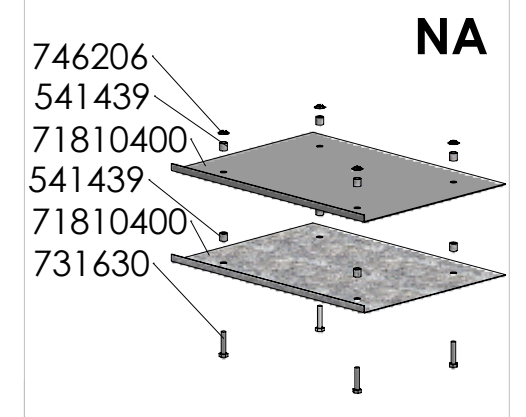
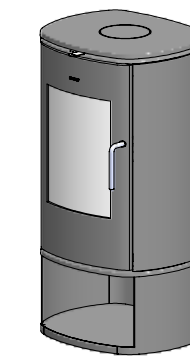
**8140, 8180**



**8142, 8182**

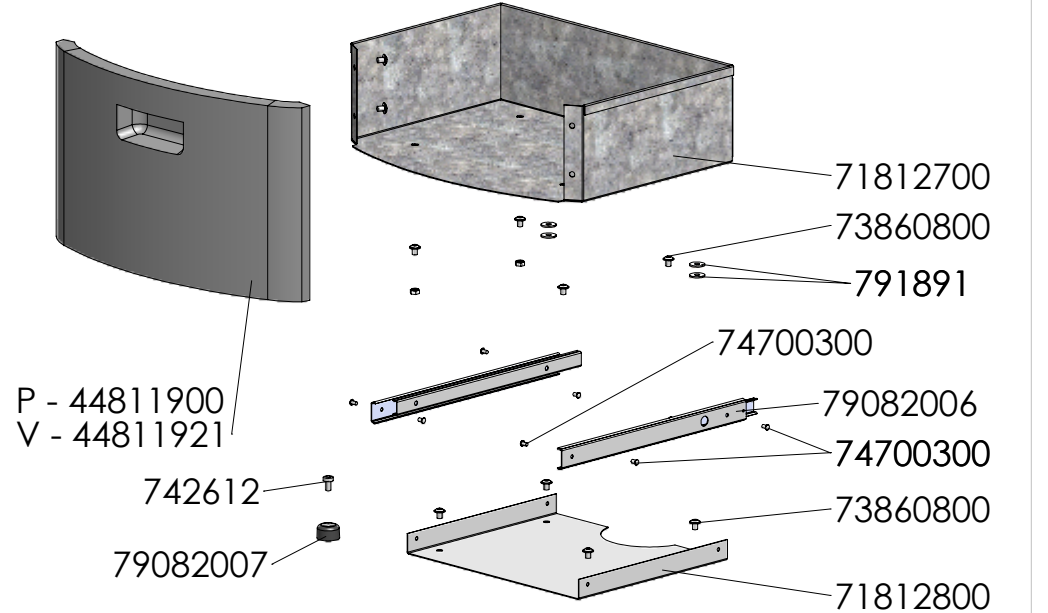


**8143**

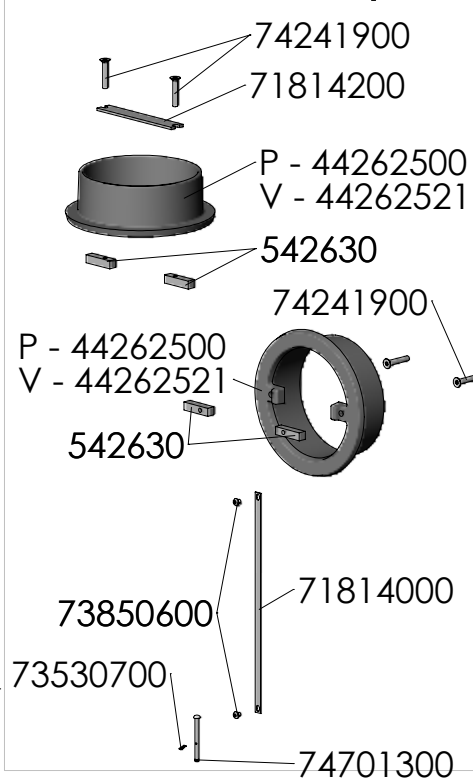


**8100 Skuffesektion/Log drawer**

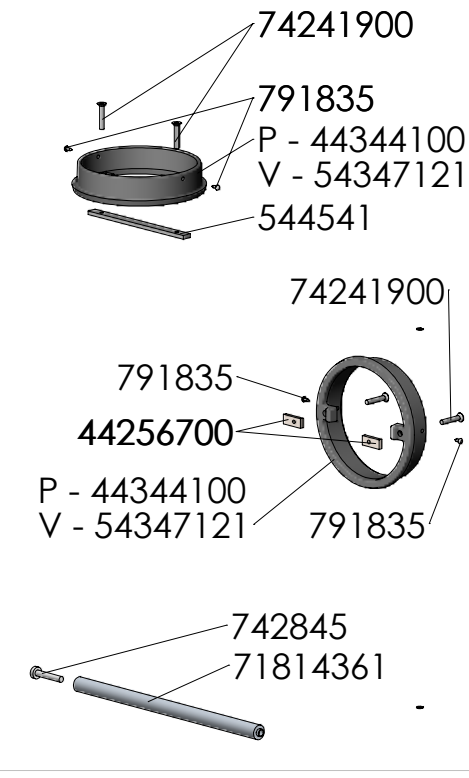
Skuffefront m. kasse 54810121  
Skuffeudtræk samlet 54810200



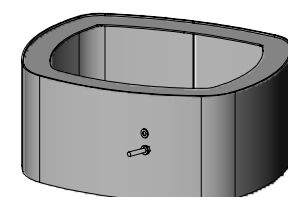
**8100 DIN PLUS / AT**



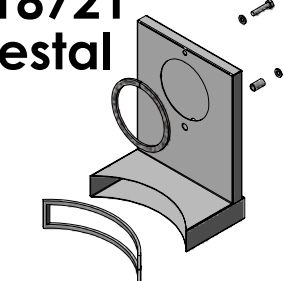
**8100 NA**



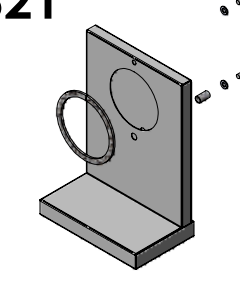
**Option - 54817321**



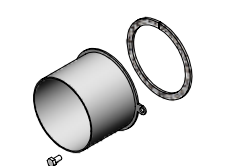
**Option - Airtight 54818721 Pedestal**



**Option - Airtight 54818621 Base**



**Option - Airtight 54798121 Rear**

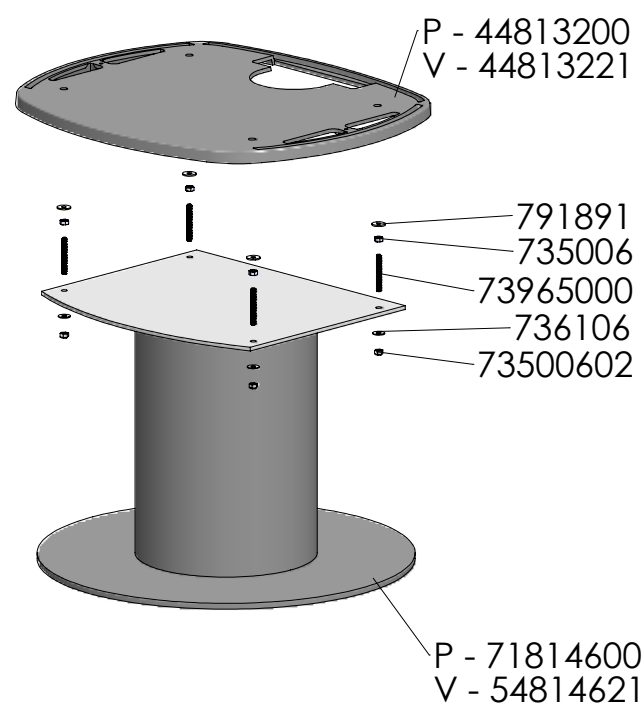
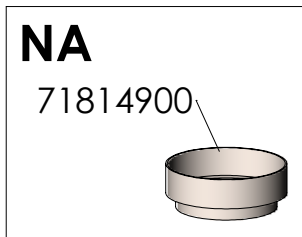


Revision tabel			
REV.	DESCRIPTION	DATE	APPROVED
at	Changed bolts for mounting the flue collar	25-06-2018	RSV
au	Changed front air canal	22-06-2020	NRN

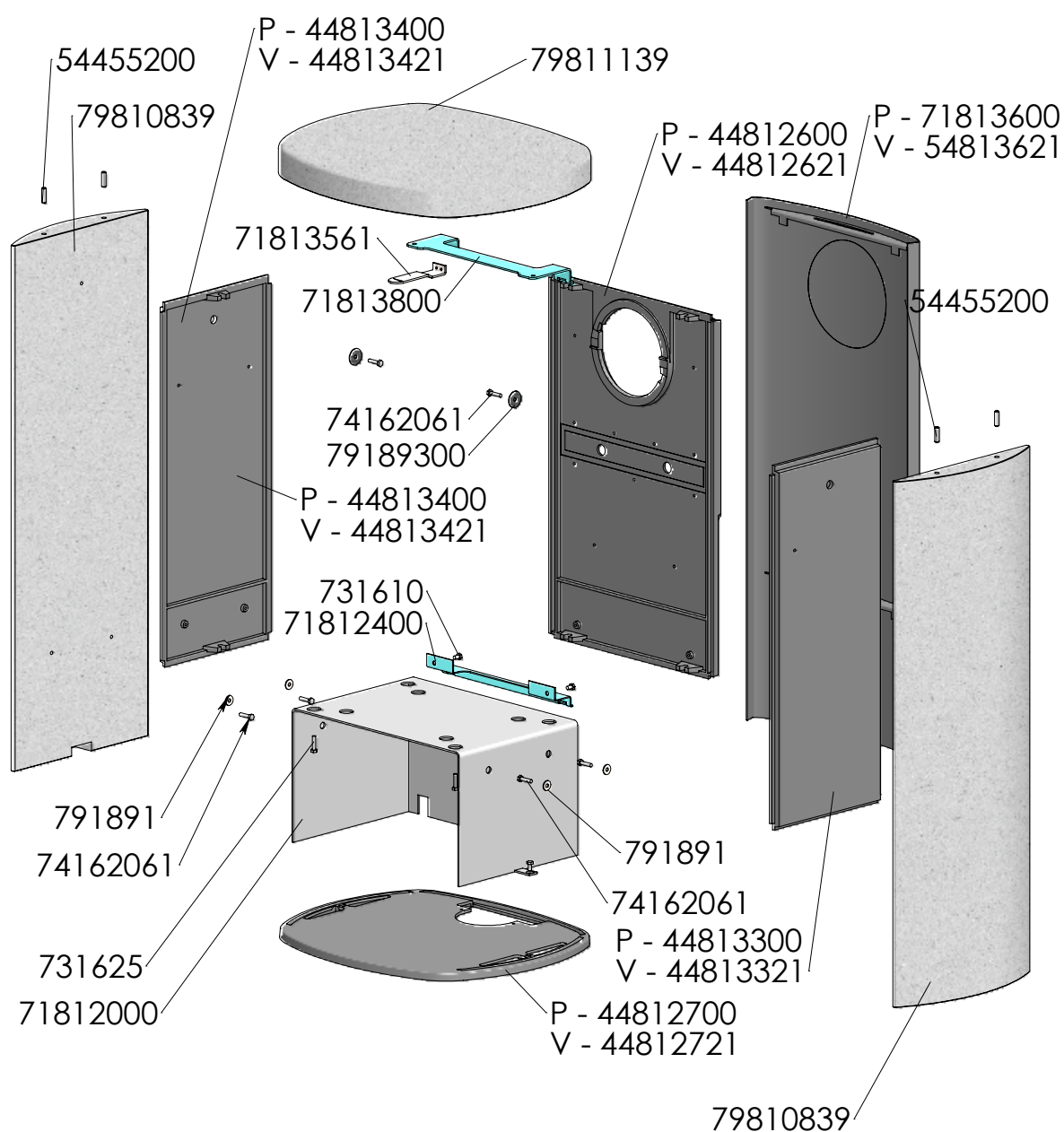
Title:		Construction:		KDU		30.05.05	
<b>8100 Exploded view</b>		Released:					
Material:		Format:		<b>A2</b>			
Weight:		Scale:		-			
Model no.:		Itemno.:					
Drawingtype: Exploderet tegning		Drawing no.:				Side 1 of 2	
Location of file: C:\Working\8100 Samling\81.DWG		<b>morsø</b>		<b>8100-501 au</b>			



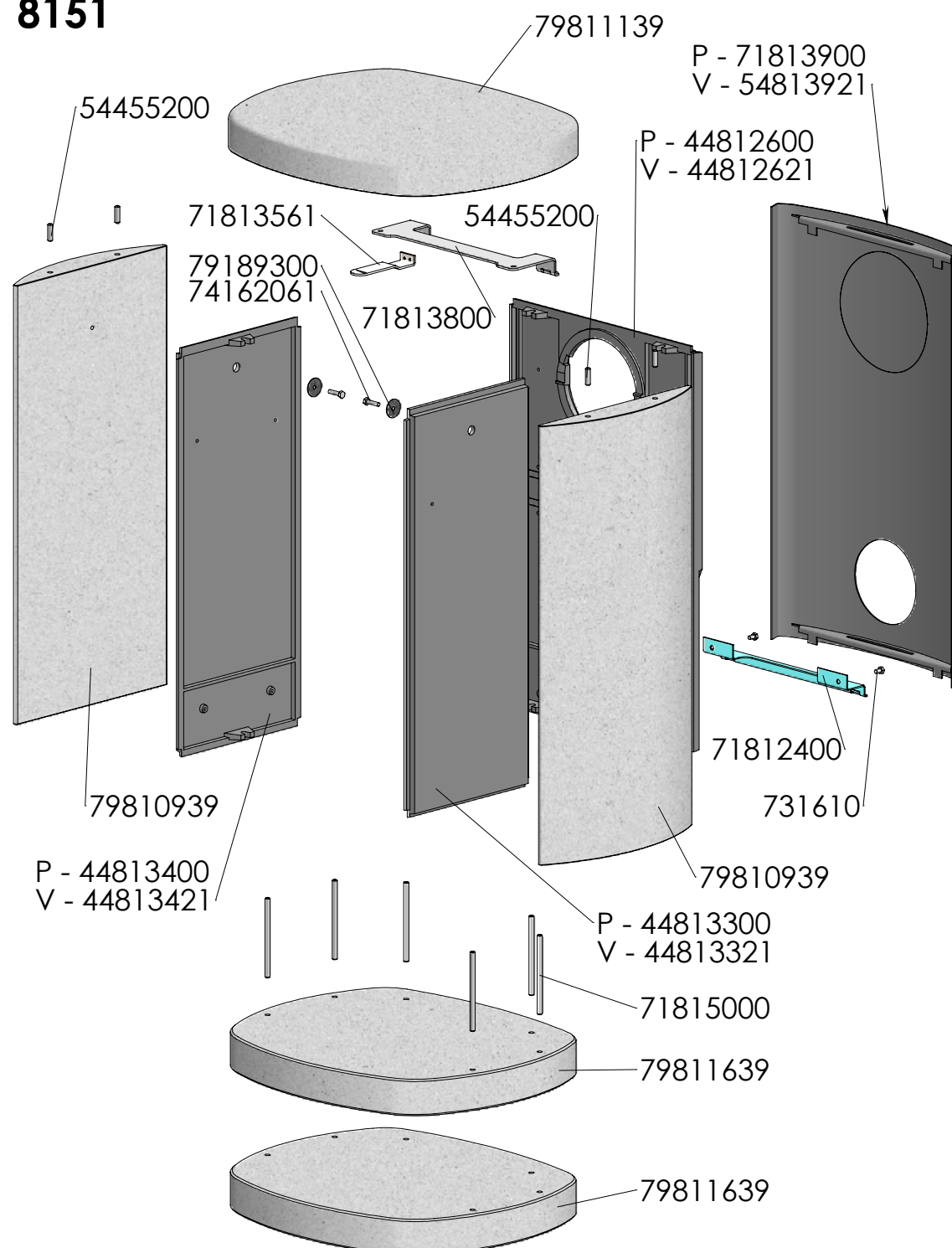
**8148, 8188**



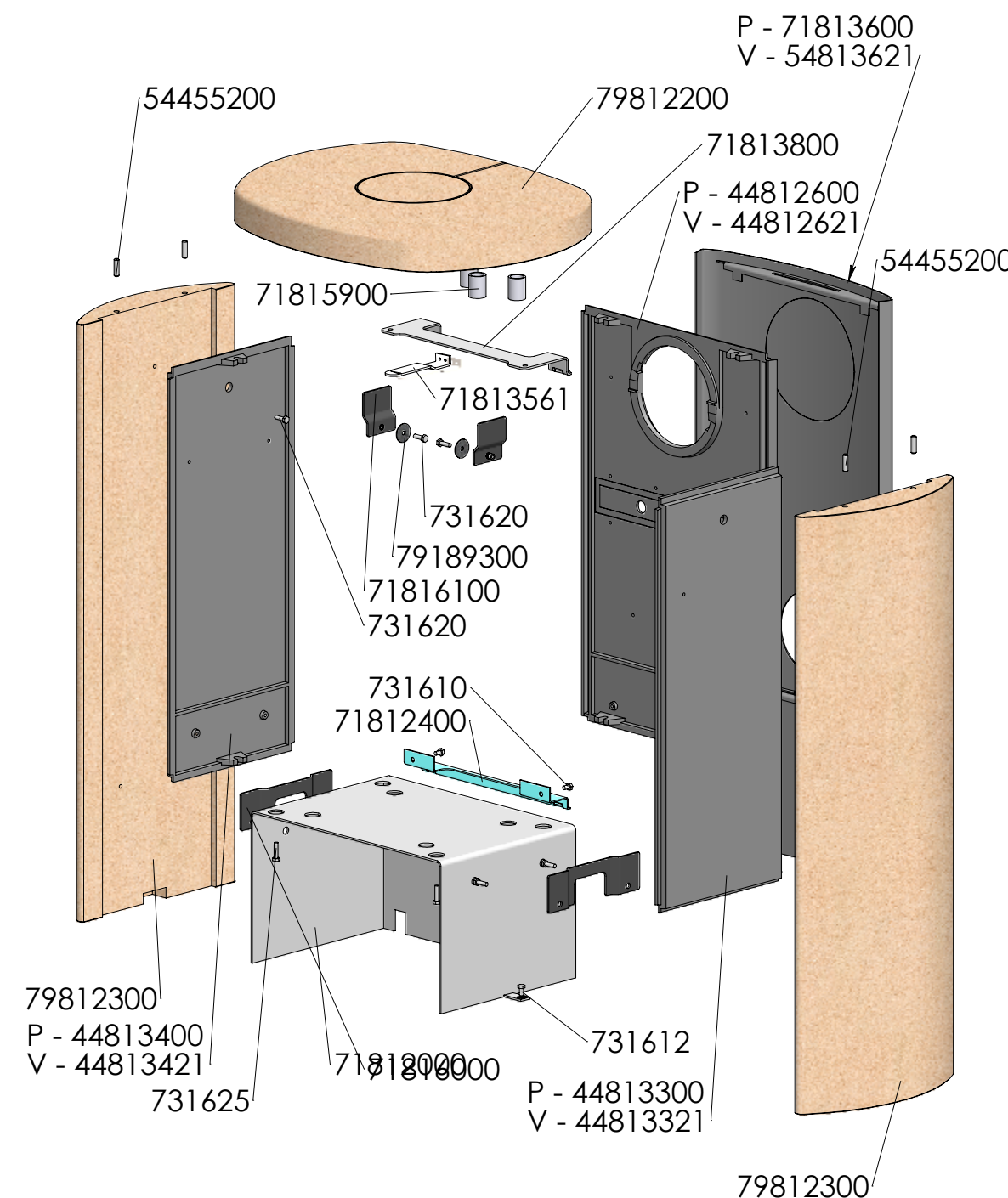
**8150**



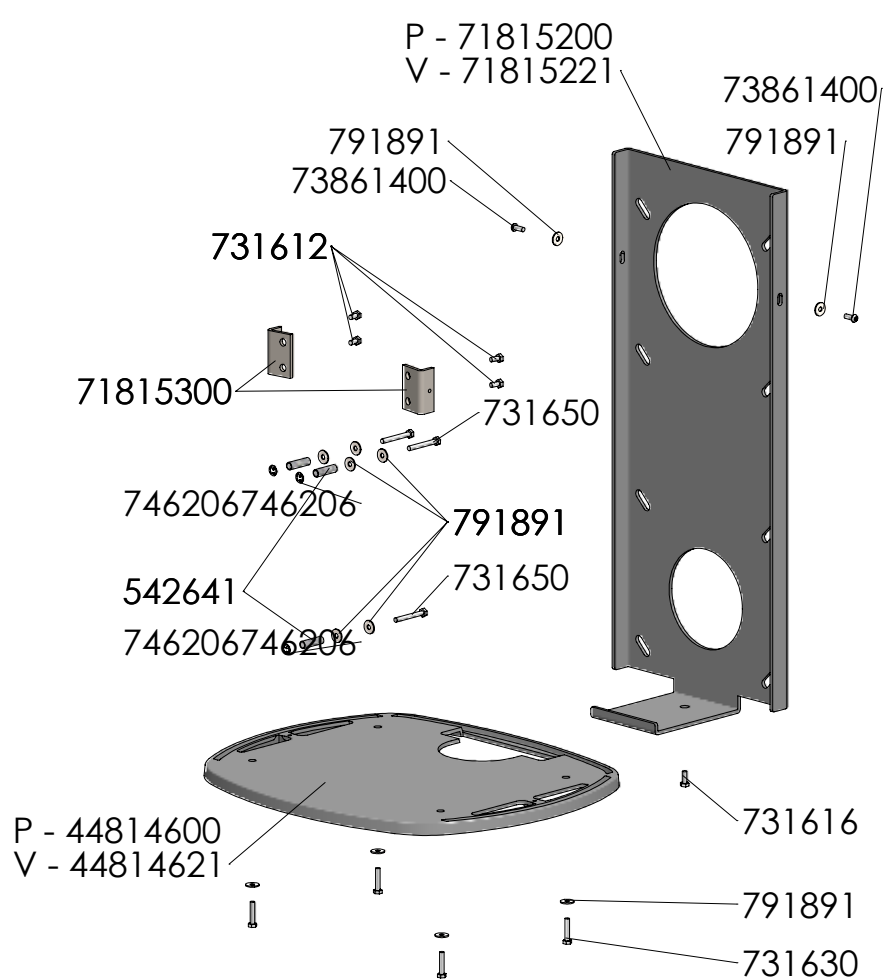
**8151**



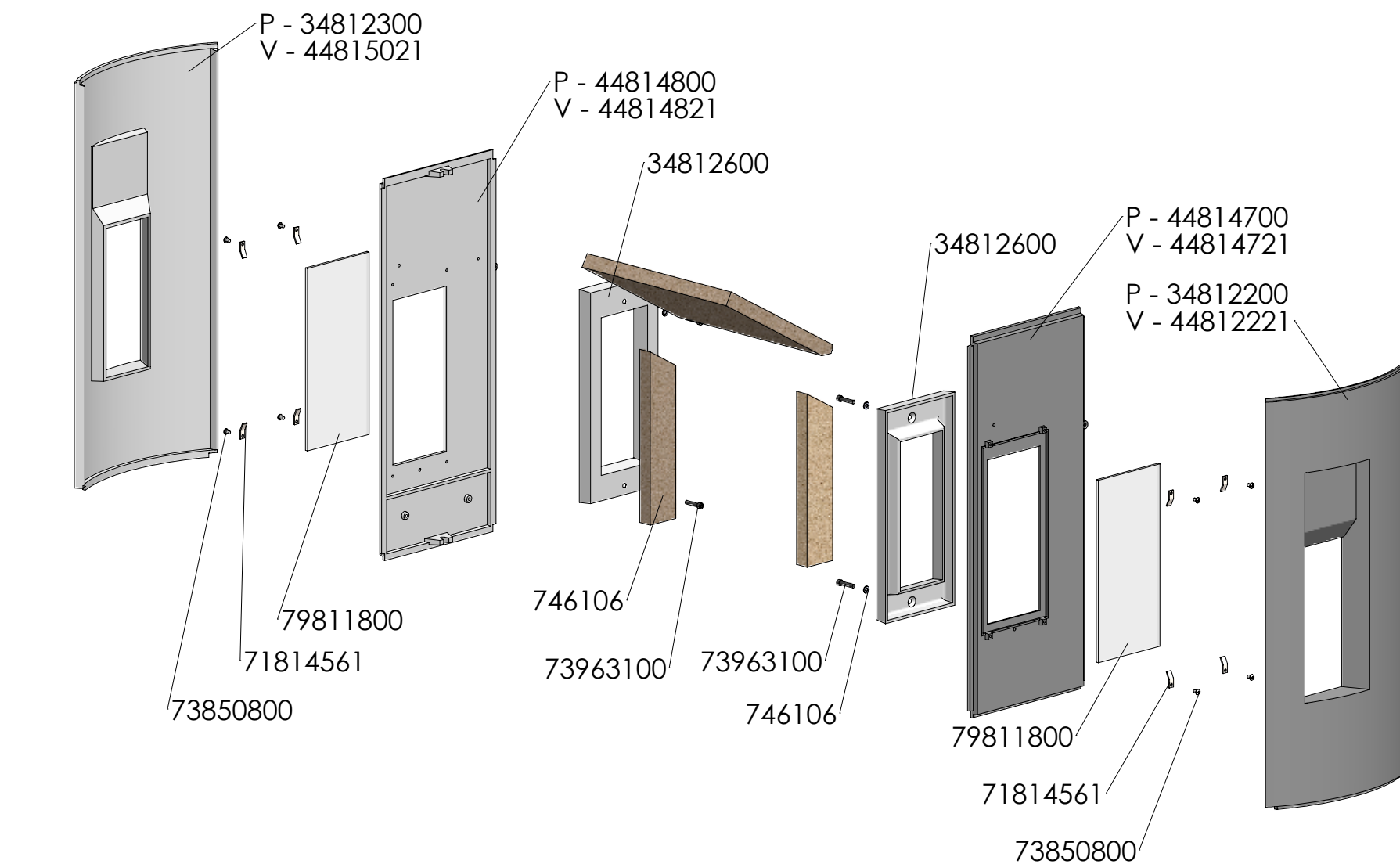
**8145**



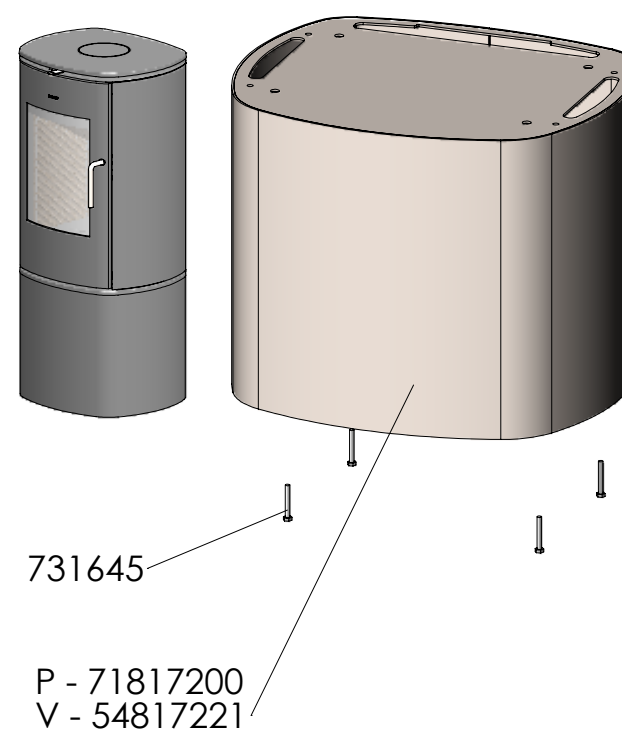
**8170, 8189**



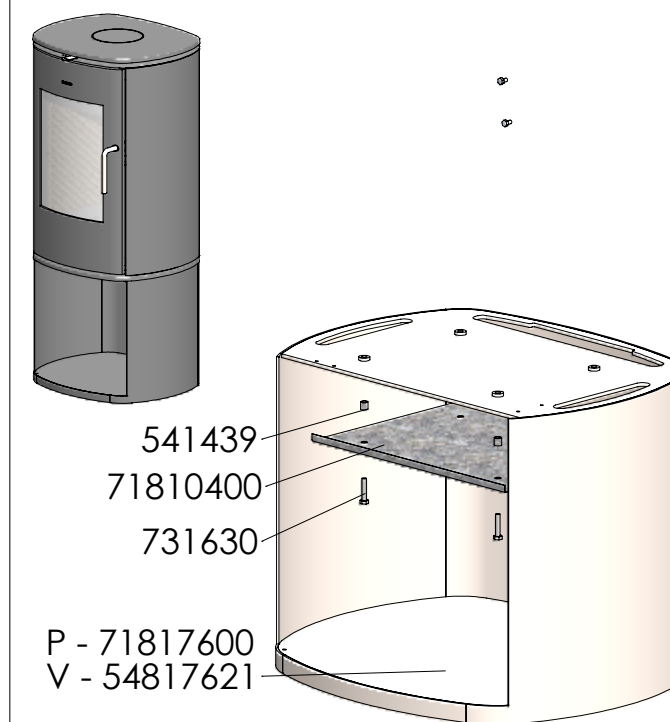
**8180, 8182, 8188, 8189**



**8190**



**8193**



Material:		Sign.:	Date:
Weight:		Construction:	KDU 17.05.06
Model no.:	-	Released:	
Drawingtype:	Exploded drawing	Format:	<b>A2</b>
Location of file:	C:\Working\8100\8100_Samling\8100.dwg	Scale:	-
		Itemno.:	-
		Drawing no.:	8100-501 cu