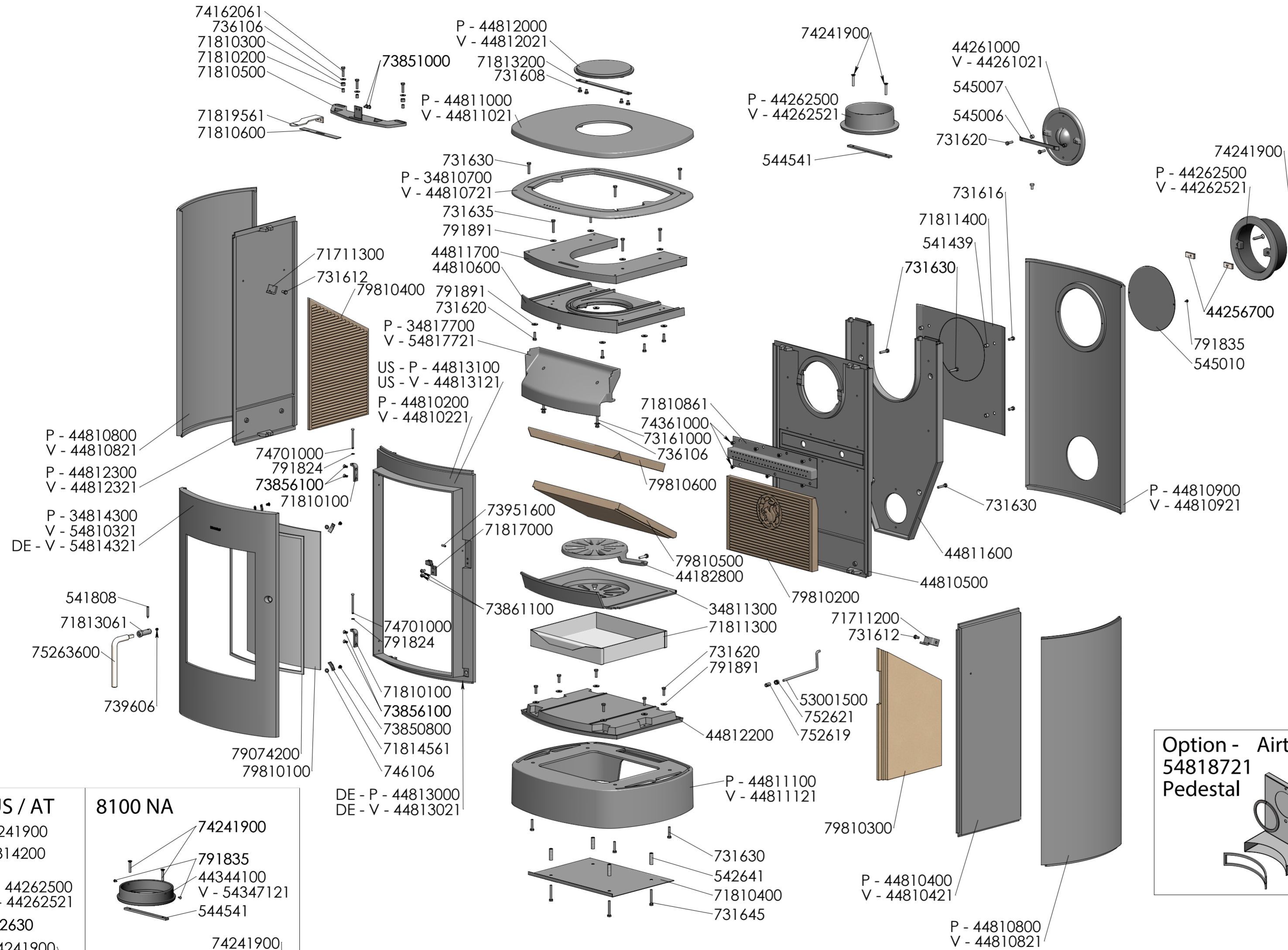


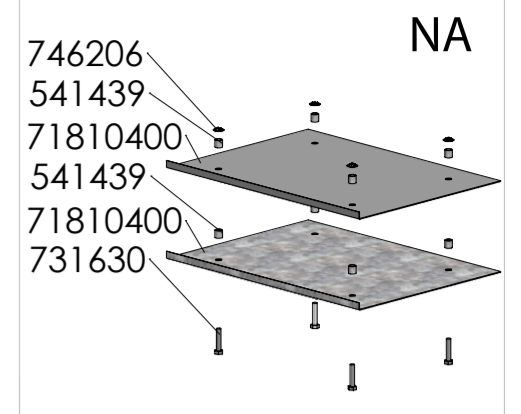
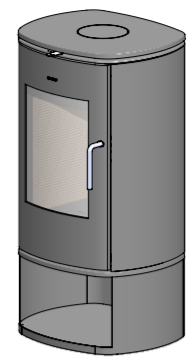
8140, 8180



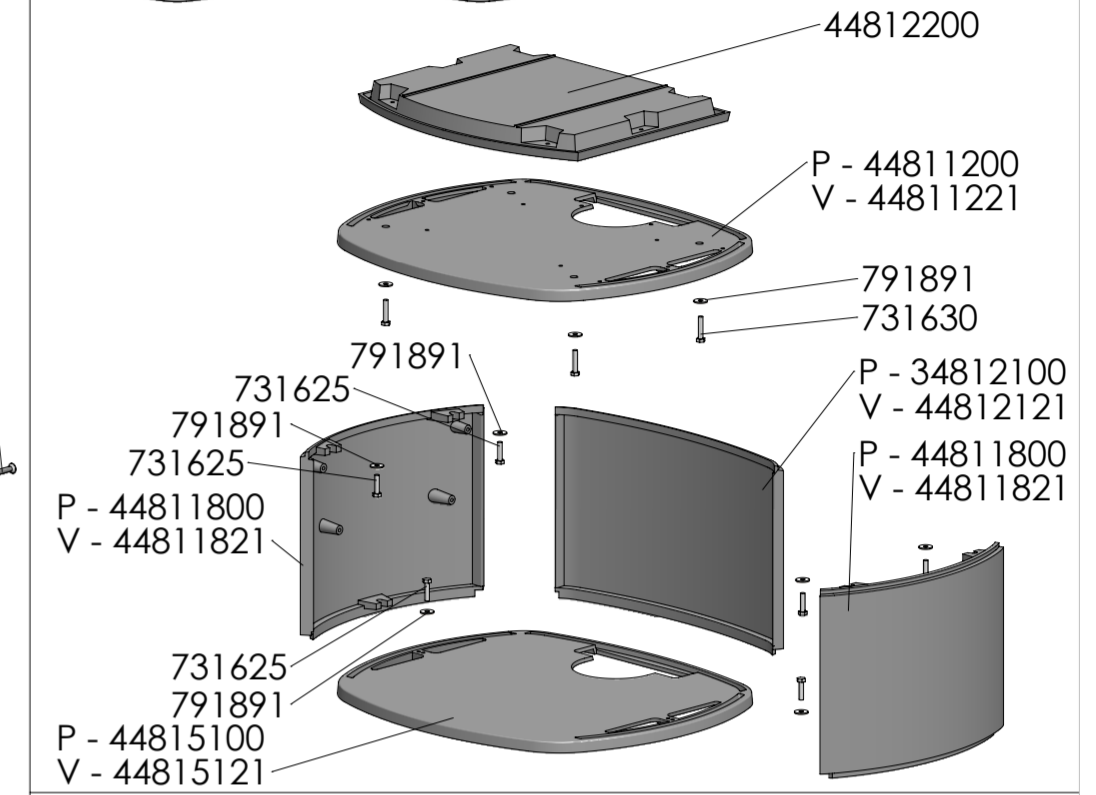
8142, 8182



8143

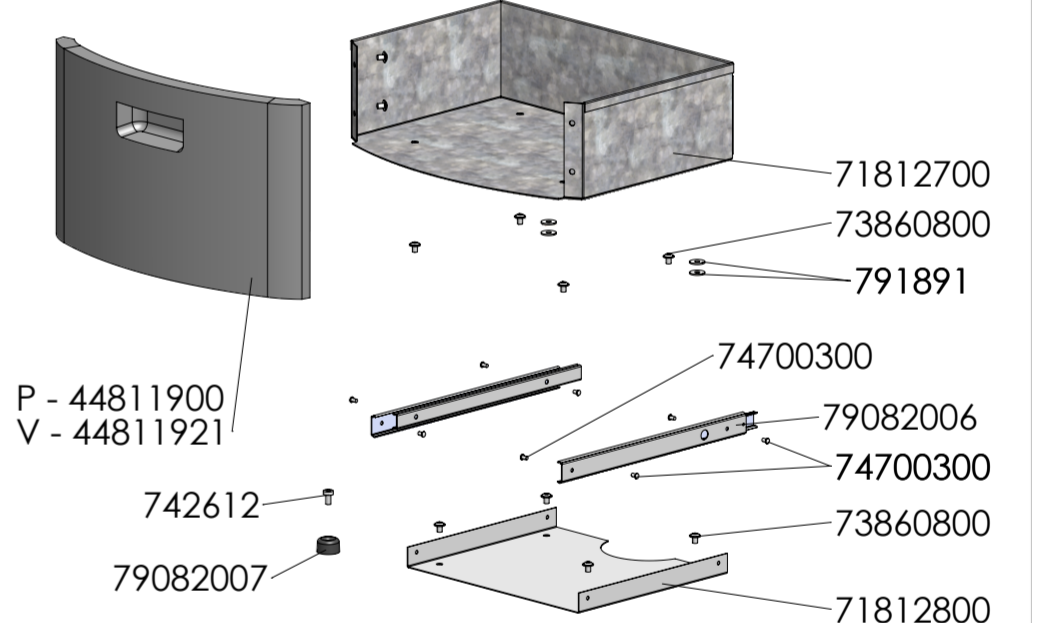


NA

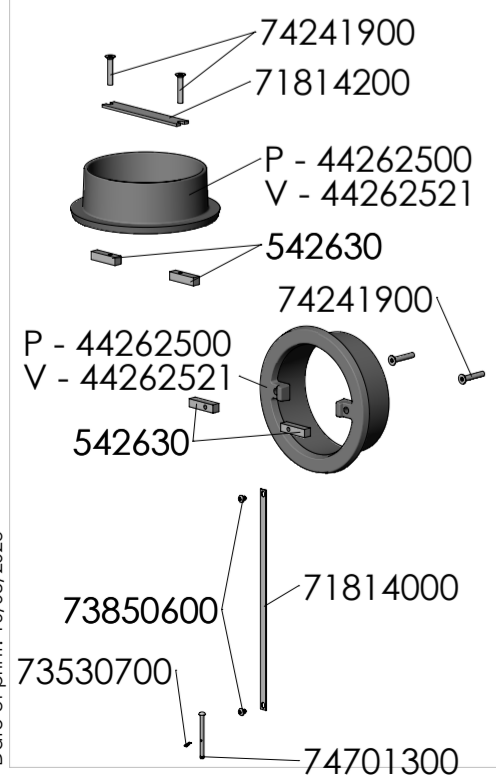


8100 Skuffesektion/Log drawer

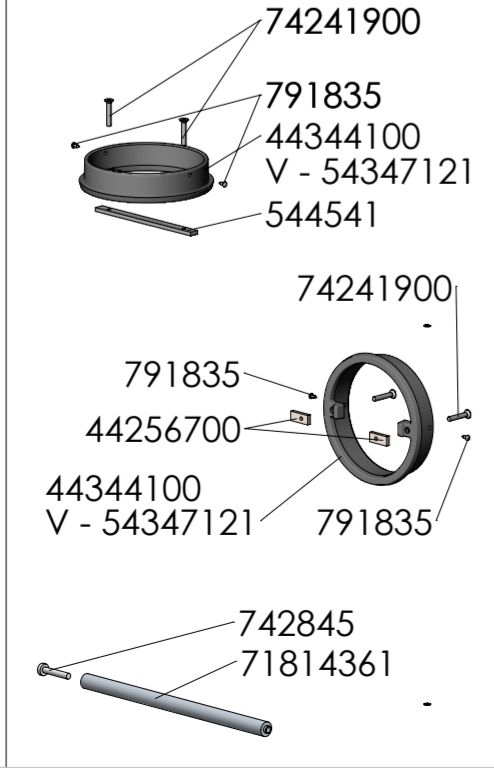
Skuffefront m. kasse 54810121
Skuffeutdræk samlet 54810200



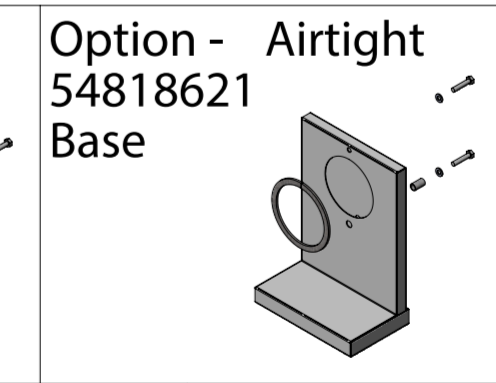
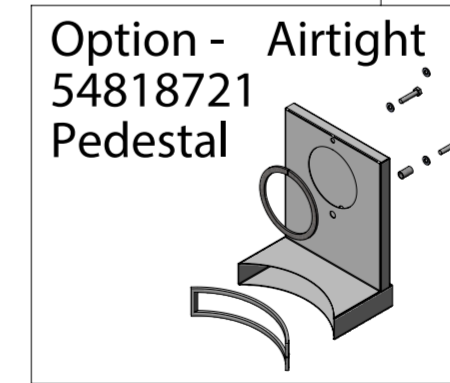
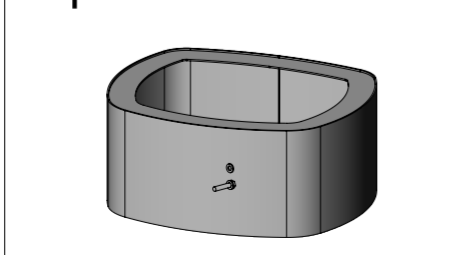
8100 DIN PLUS / AT



8100 NA



Option - 54817321



Revision tabel			
REV.	DESCRIPTION	DATE	APPROVED
at	Changed bolts for mounting the flue collar	25-06-2018	RSV
au	Changed front air canal	22-06-2020	NRN
av	Added base doors	14/08/2023	NRN

Material:		Construction:	KDU	Sign.:	Date:
Weight:		Released:			30.05.05
Model no.		Format:	A2		
Drawingtype:	Exploderet tegning	Scale:	-		
Location of file:	C:\Morsø\PM\Proj\8100\8100_Samling_81.DWG	Itemno.:			
		Title:		8100 Exploded view	
		Construction:		KDU	
		Released:			
		Format:		A2	
		Scale:		-	
		Itemno.:			
		Drawing no.:		8100-501 av	
		Title:		Morsø 8100	
		Construction:		KDU	
		Released:			
		Format:		A2	
		Scale:		-	
		Itemno.:			
		Drawing no.:		8100-501 av	

Date of print: 16/08/2023