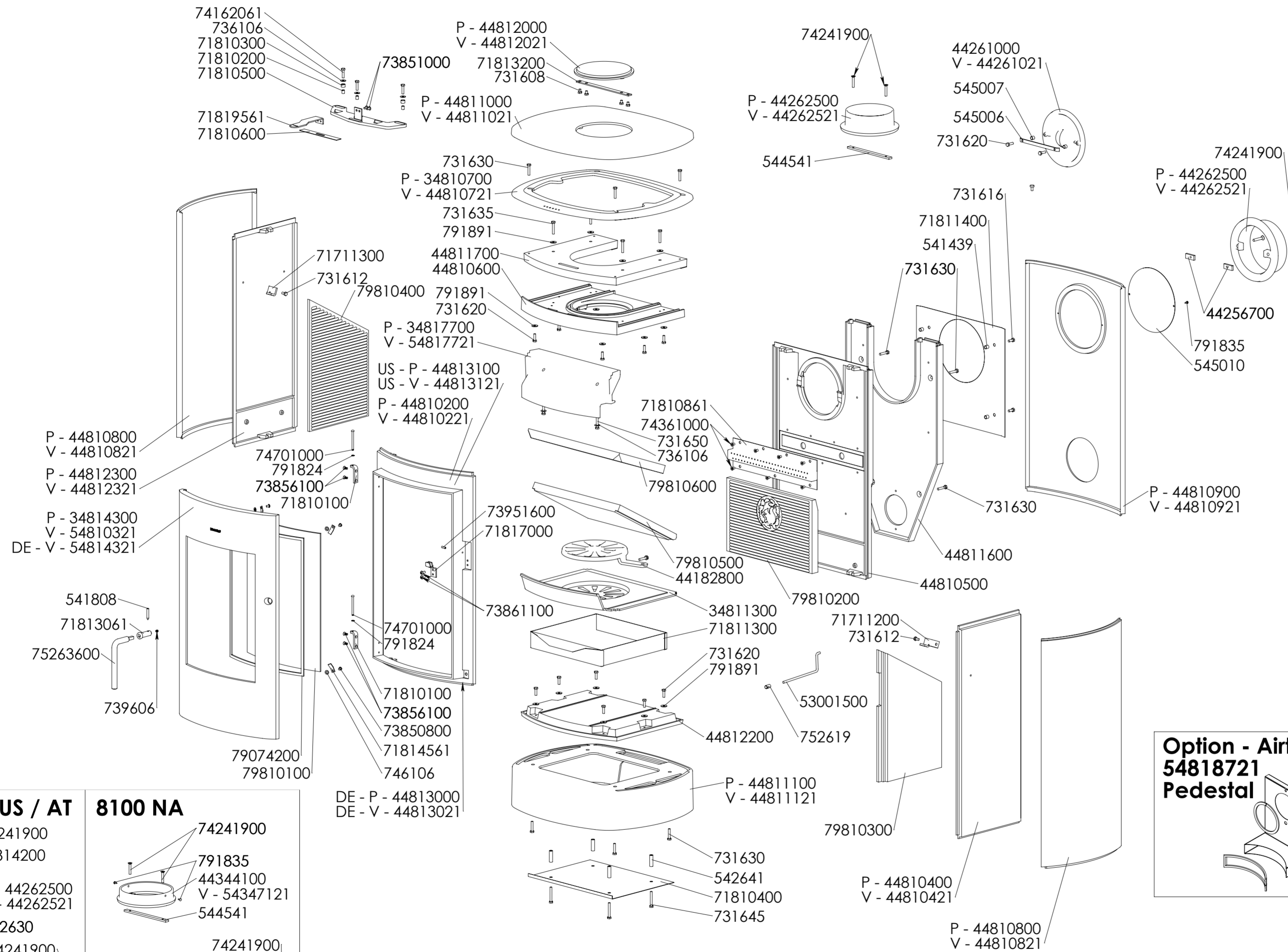
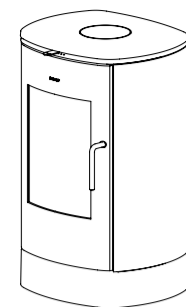
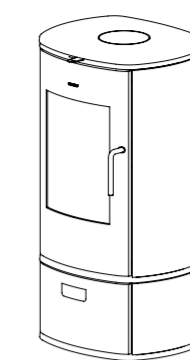


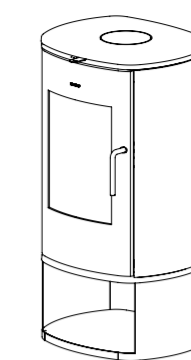
**8140, 8180**



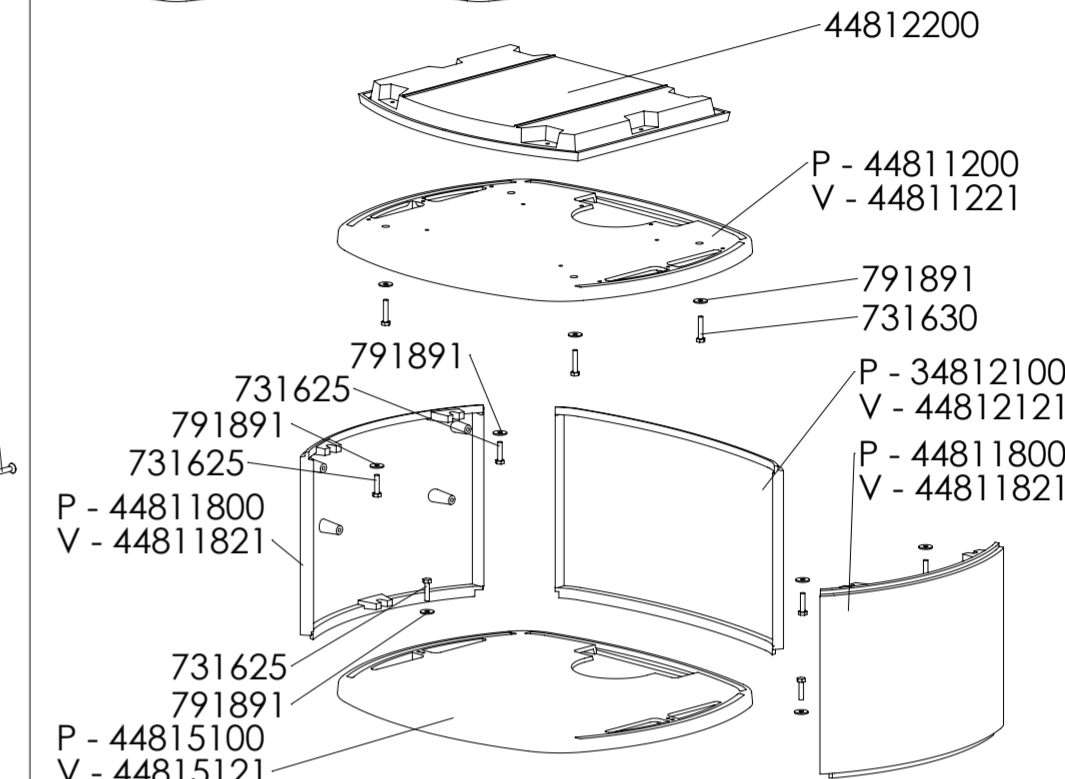
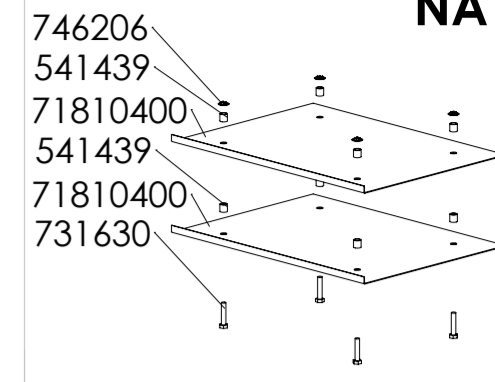
**8142, 8182**



**8143**

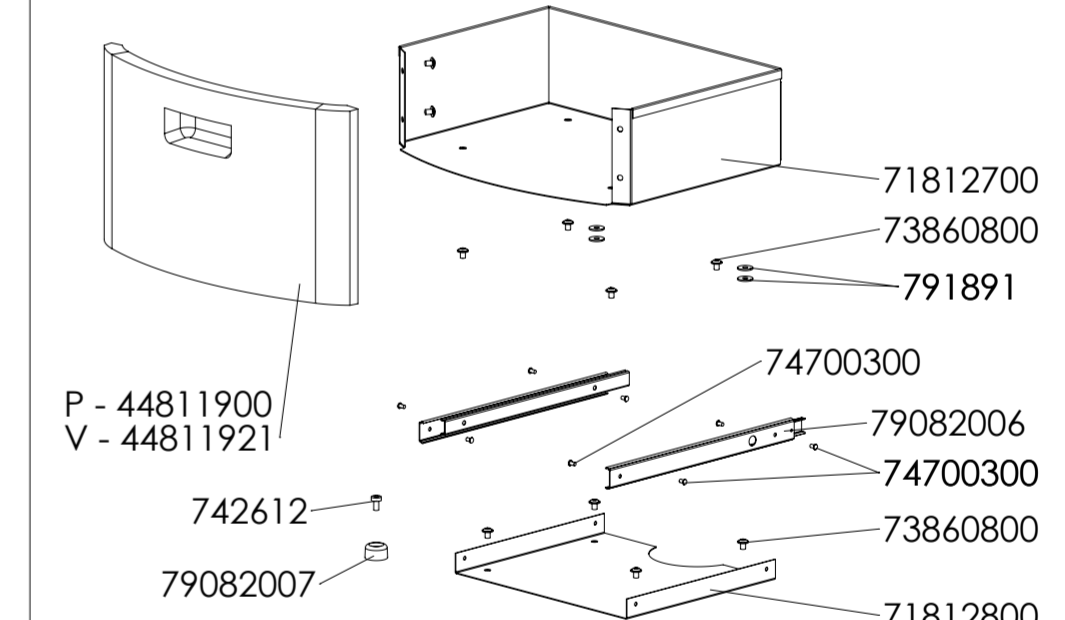


**NA**

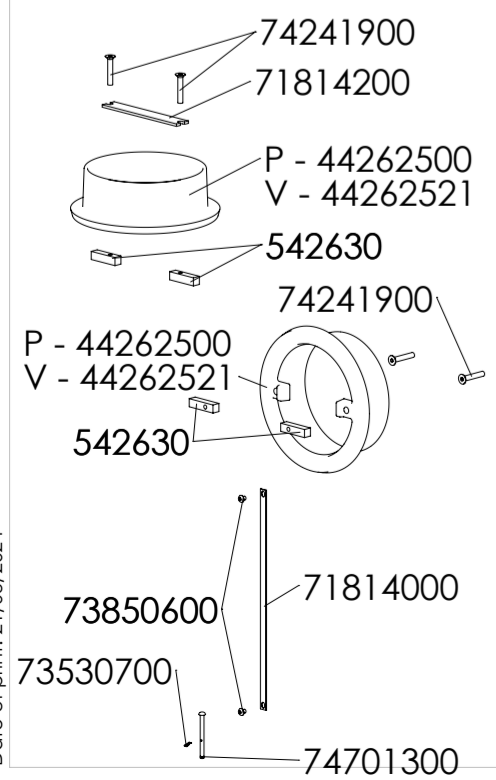


**8100 Skuffesektion/Log drawer**

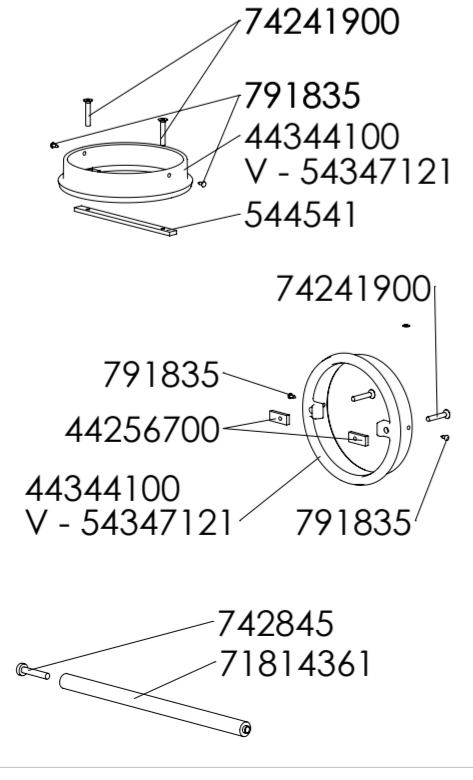
Skuffefront m. kasse 54810121  
Skuffeutdræk samlet 54810200



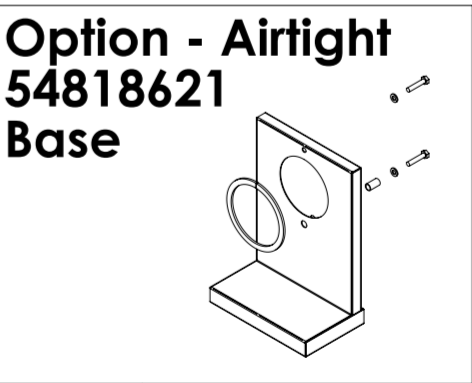
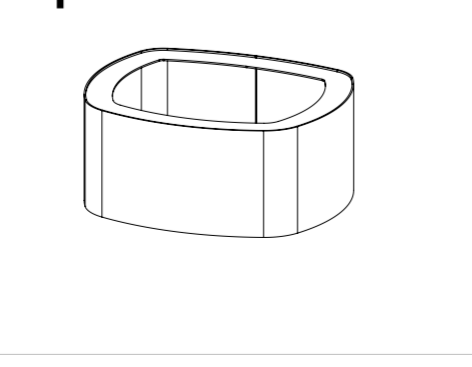
**8100 DIN PLUS / AT**



**8100 NA**



**Option - 54817321**

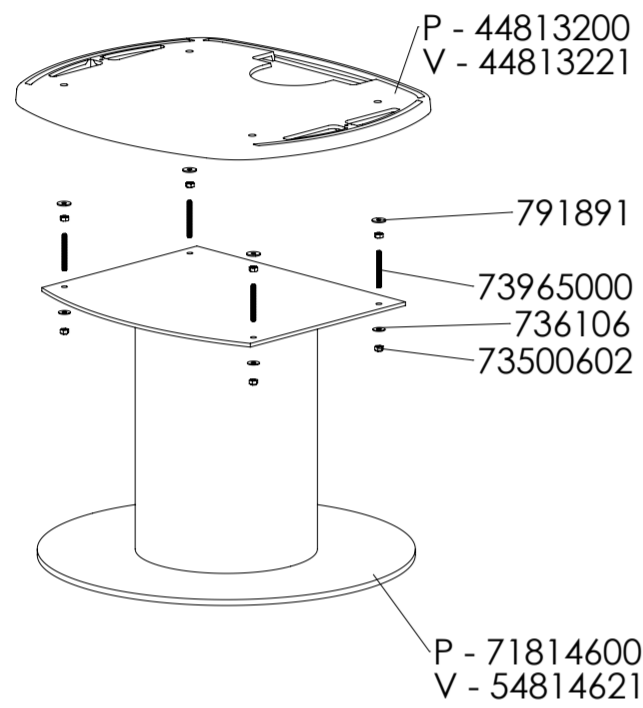
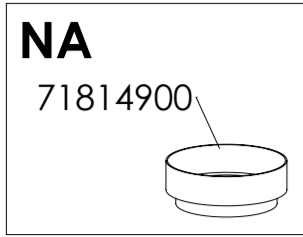


Revision tabel			
REV.	DESCRIPTION	DATE	APPROVED
ax	Removed bushing from front	21-03-2024	NRN

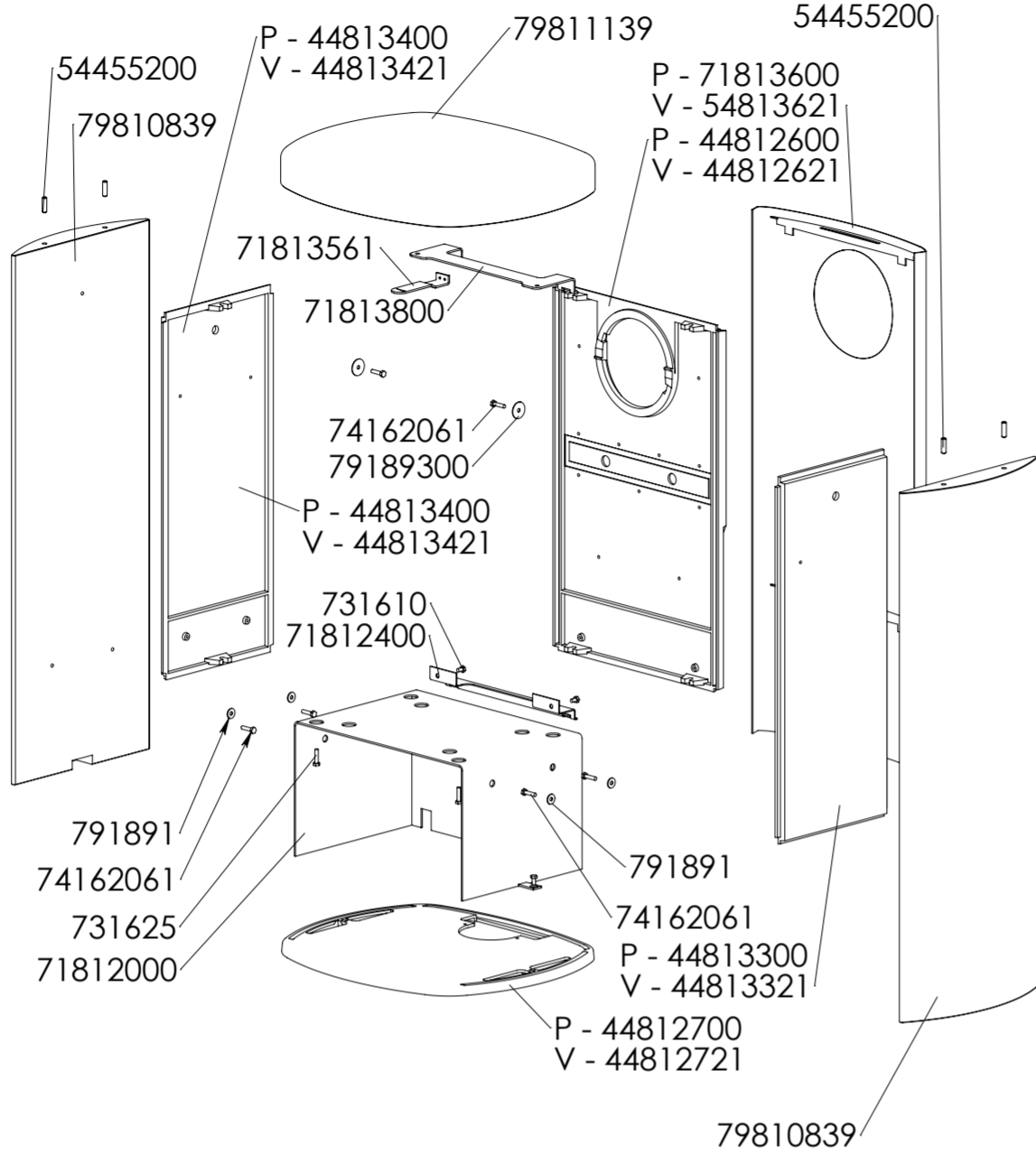
Material:		Construction:	KDU	Sign.:	Date:
Weight:		Released:			30.05.05
Model no.:	-	Format:	<b>A2</b>		
Drawingtype:	Exploderet tegning	Scale:	-		
Location of file:	C:\Morsø\PM\Projekt\8100\8100_Samling_31.DWG	Itemno.:		Drawing no.:	Side 1 of 3
		<b>morsø</b>		<b>8100-501 ax</b>	

Date of print: 21/03/2024

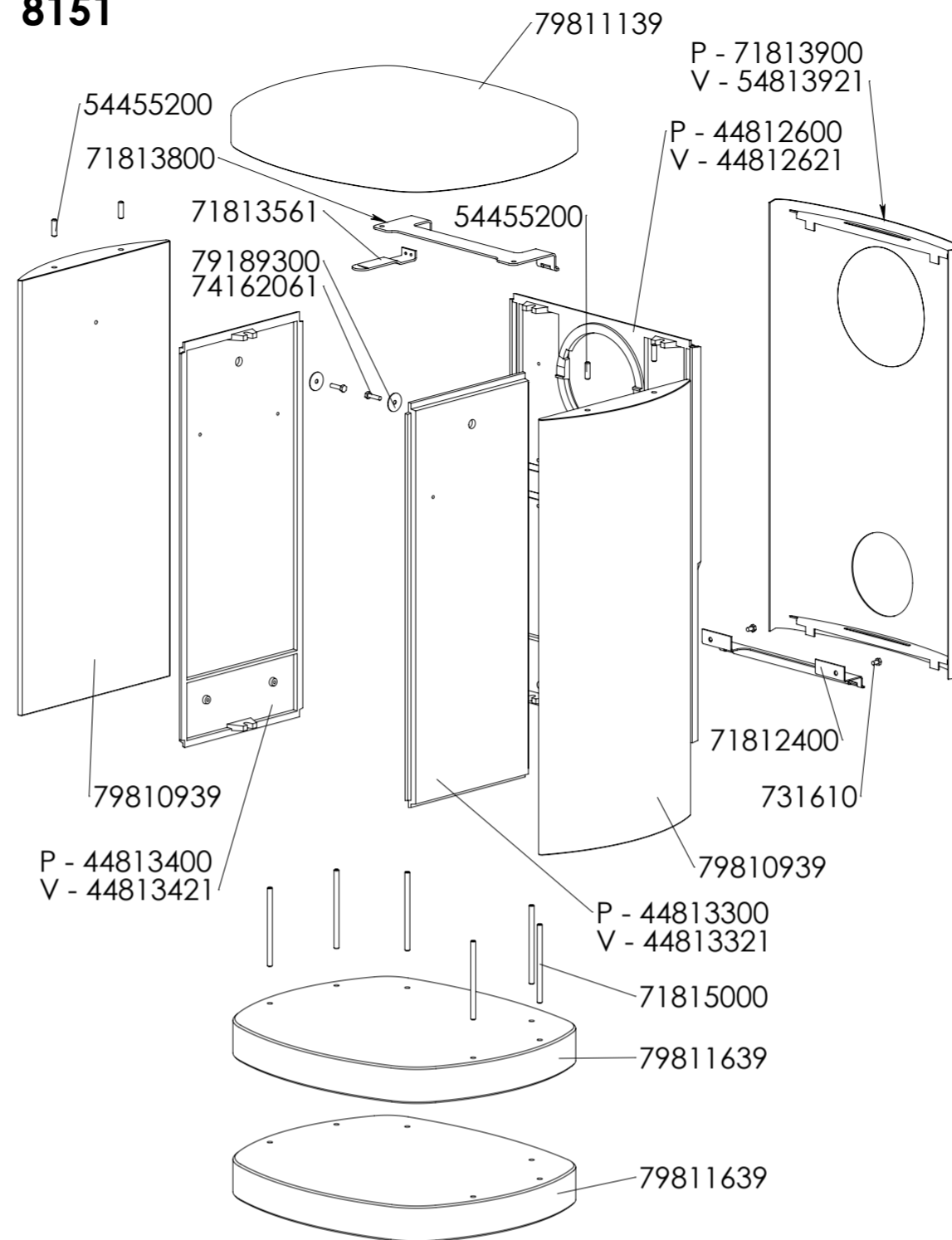
**8148, 8188**



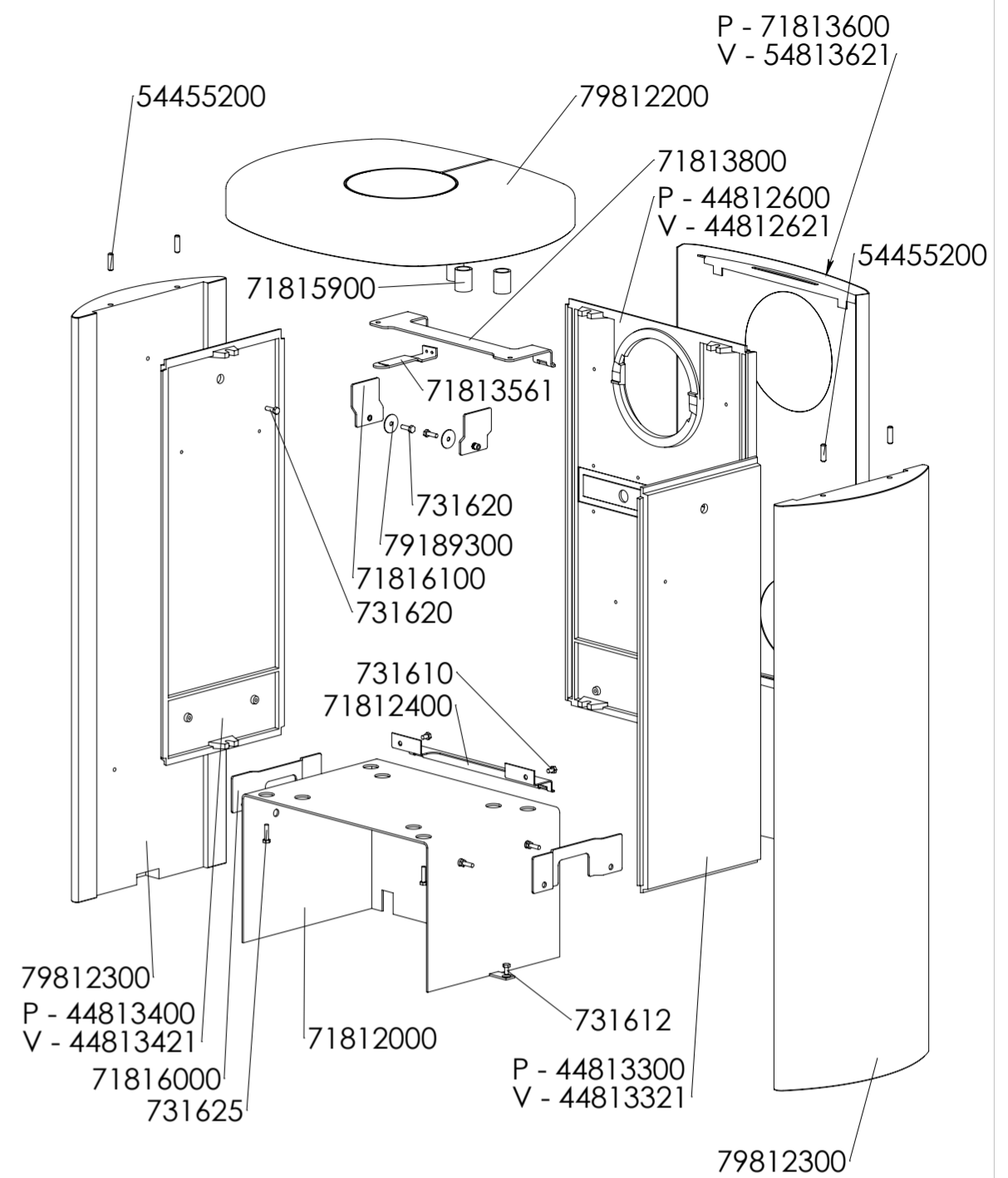
**8150**



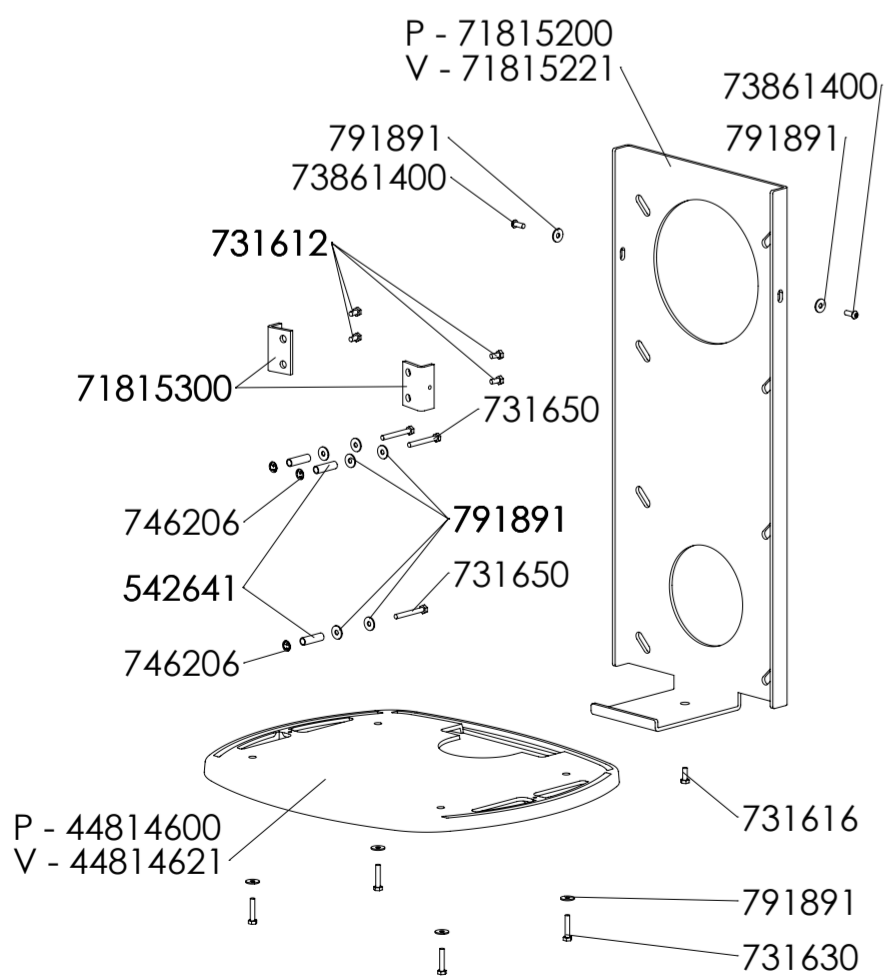
**8151**



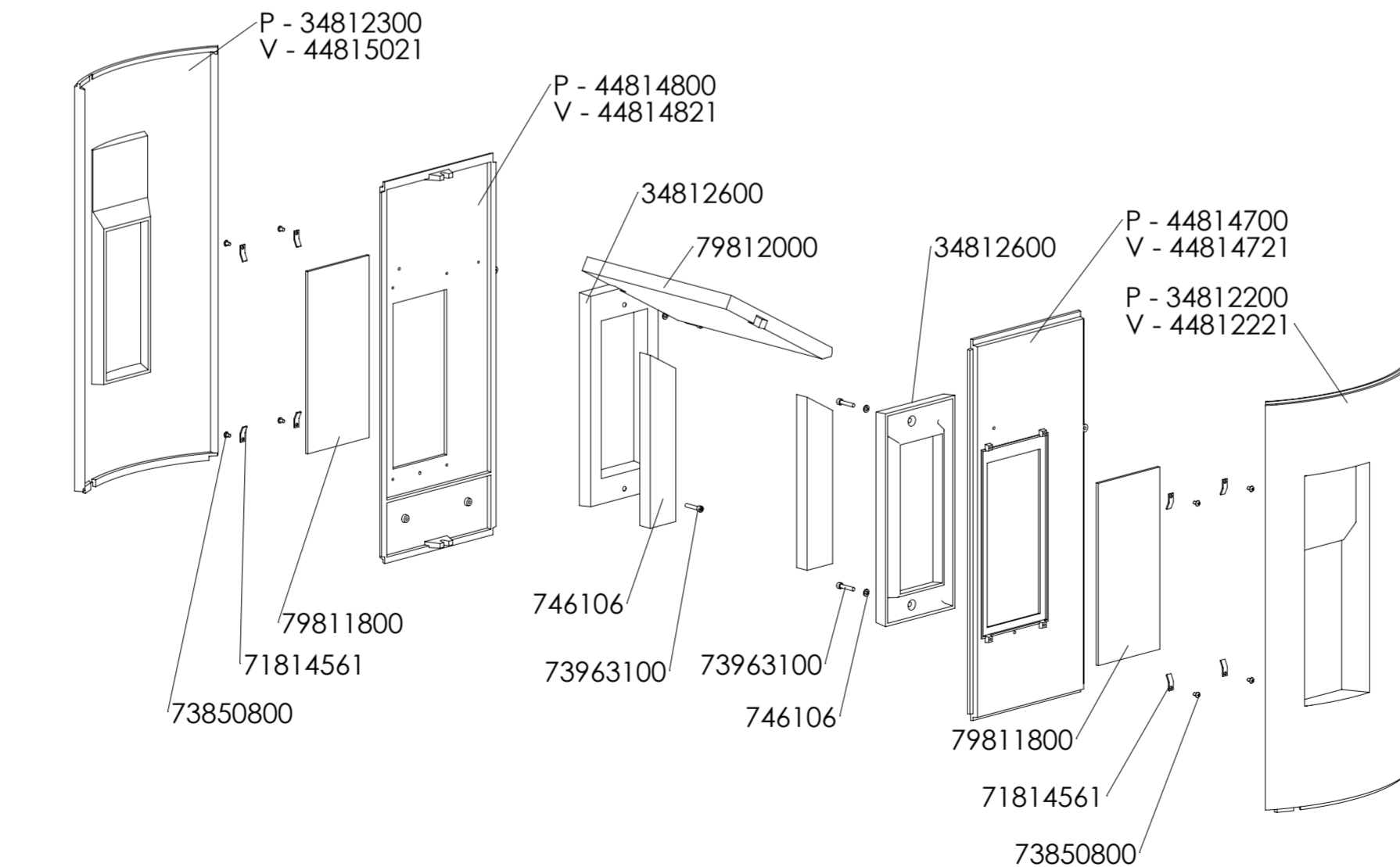
**8145**



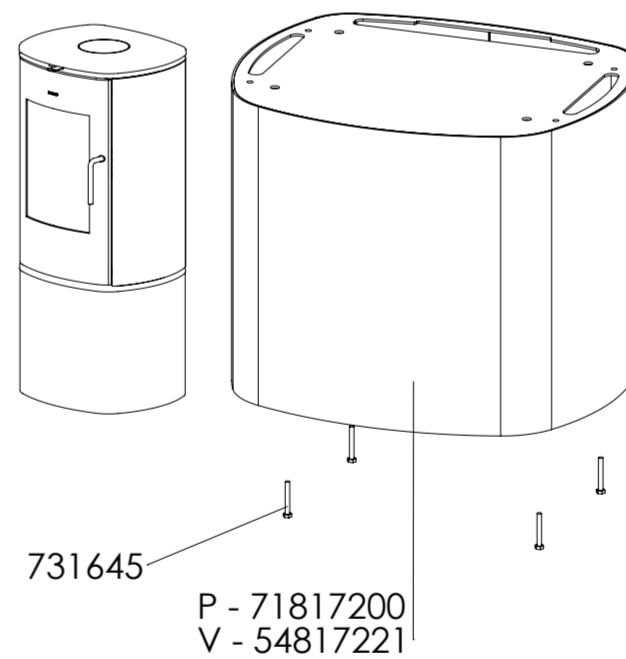
**8170, 8189**



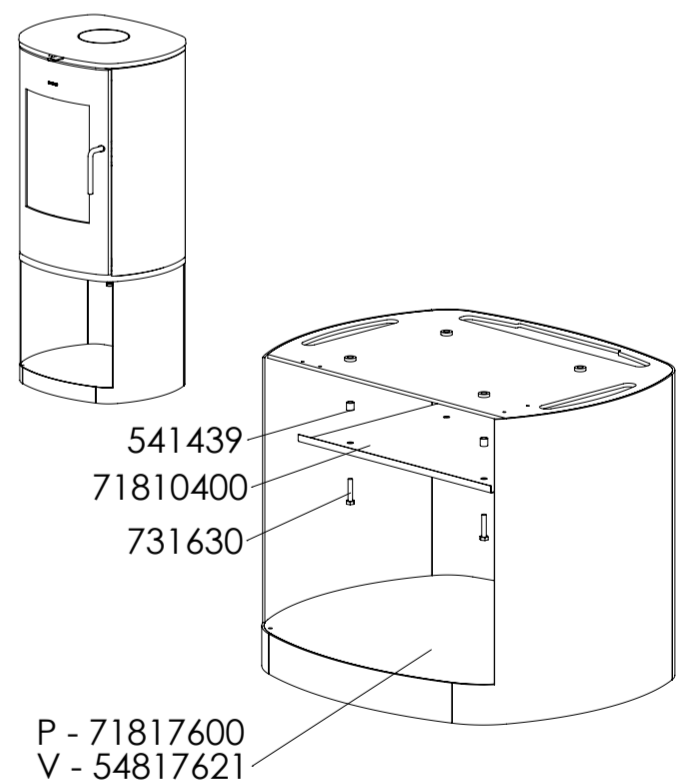
**8180, 8182, 8188, 8189**



**8190**



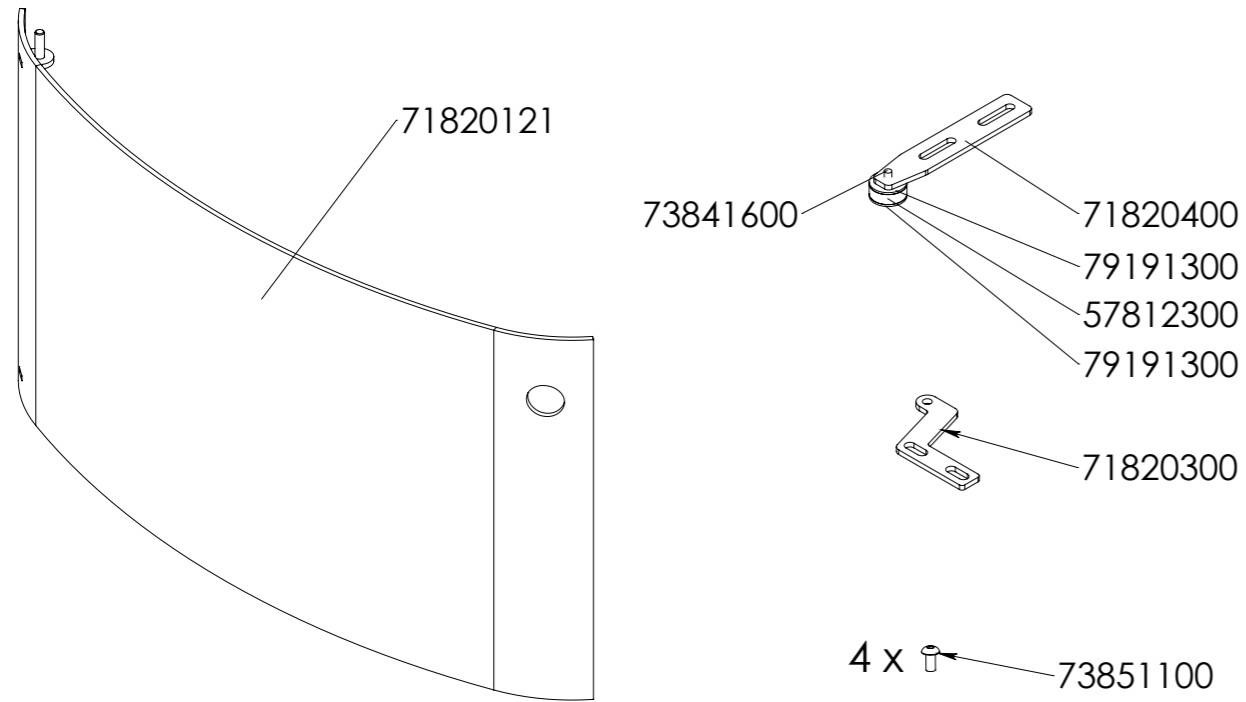
**8193**




Material:		Sign.:	Date:
Weight:		Construction:	KDU 17.05.06
Model no.:		Released:	
Drawingtype:	Exploded drawing	Format:	<b>A2</b>
Location of file:	C:\Morsø\DMA\Project\10\Overl\100\8100\5amling\8145A1	Scale:	-
		Itemno.:	-
		Drawing no.:	Side 2 of 3
		<b>8100-501 ax</b>	

This drawing is Morsø Jernstøberi A/S' property and must not be sold, lent or copied without any written authorization from the company.

# 8143 - Base door - 54818921



Date of print: 21/03/2024

		Title:	Drawn by:	NRN	10.07.2019
Material:		<b>8100 Exploded view</b>	Last saved:	NRN	21/03/2024
Weight kg.:	2.49		Format:	<b>A3</b>	
Model no.:		<b>Morsø 8100</b>	Scale:	<b>1:10</b>	
Borefixturer:			Itemno.:		
Drawingtype:			Drawing no.:	Page 3 of 3	
Location of file:			<b>8100-501 ax</b>		