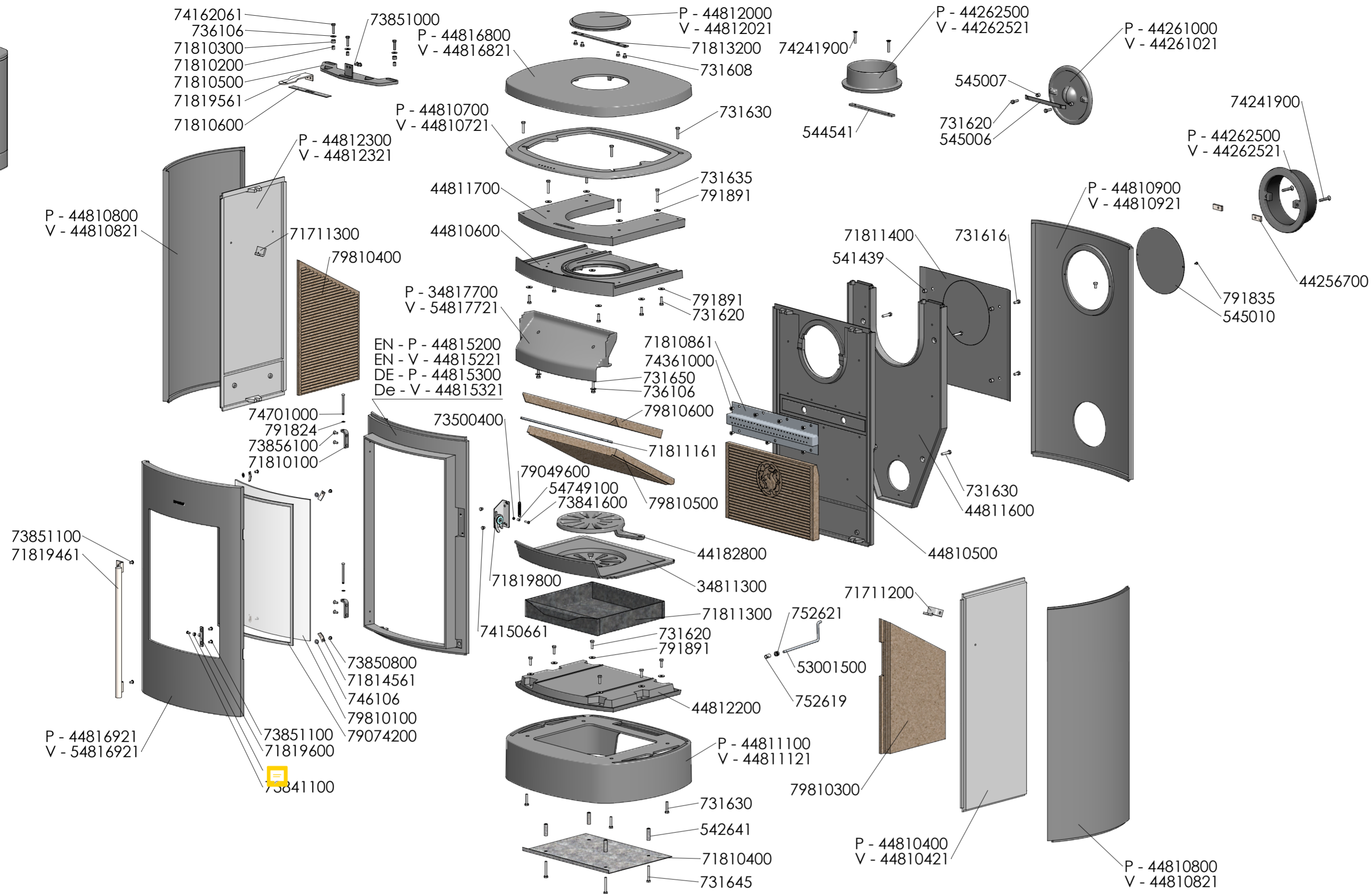


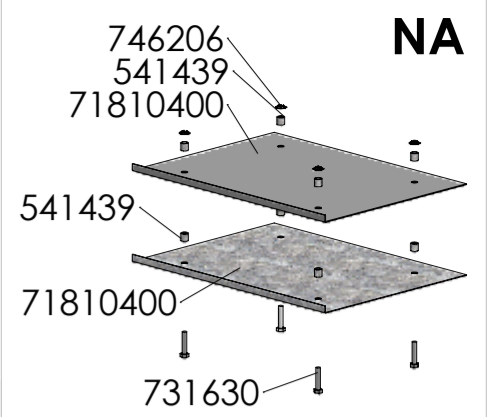
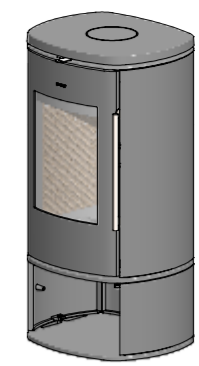
8840



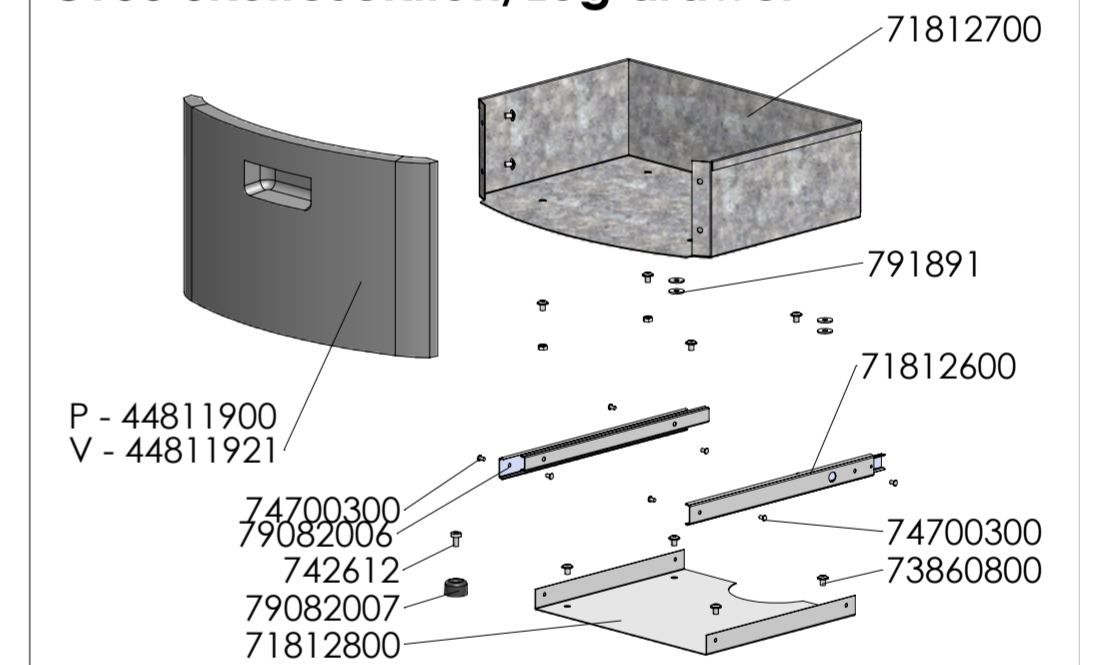
8842



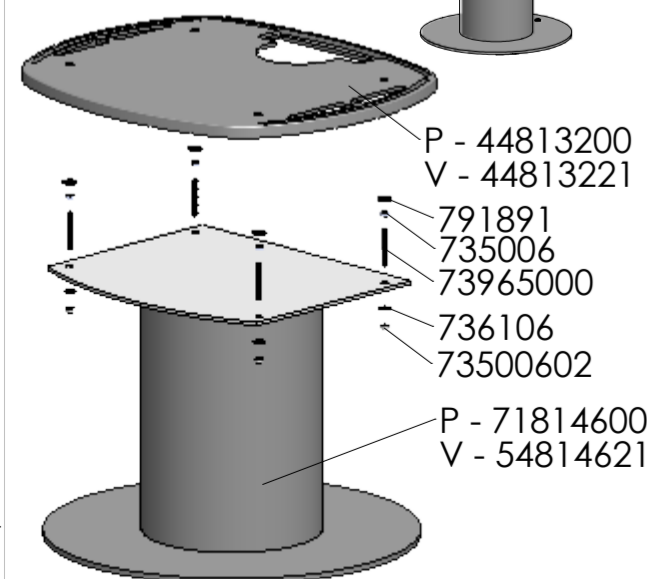
8843



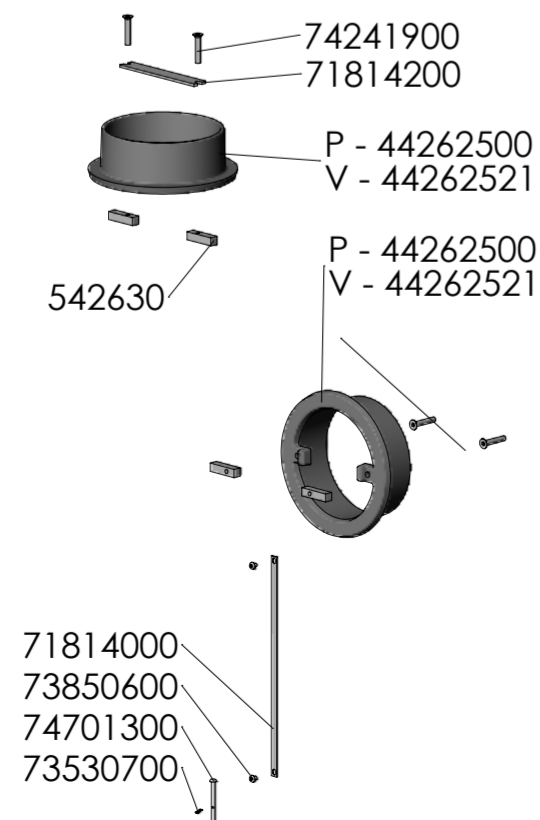
8100 Skuffesektion/Log drawer



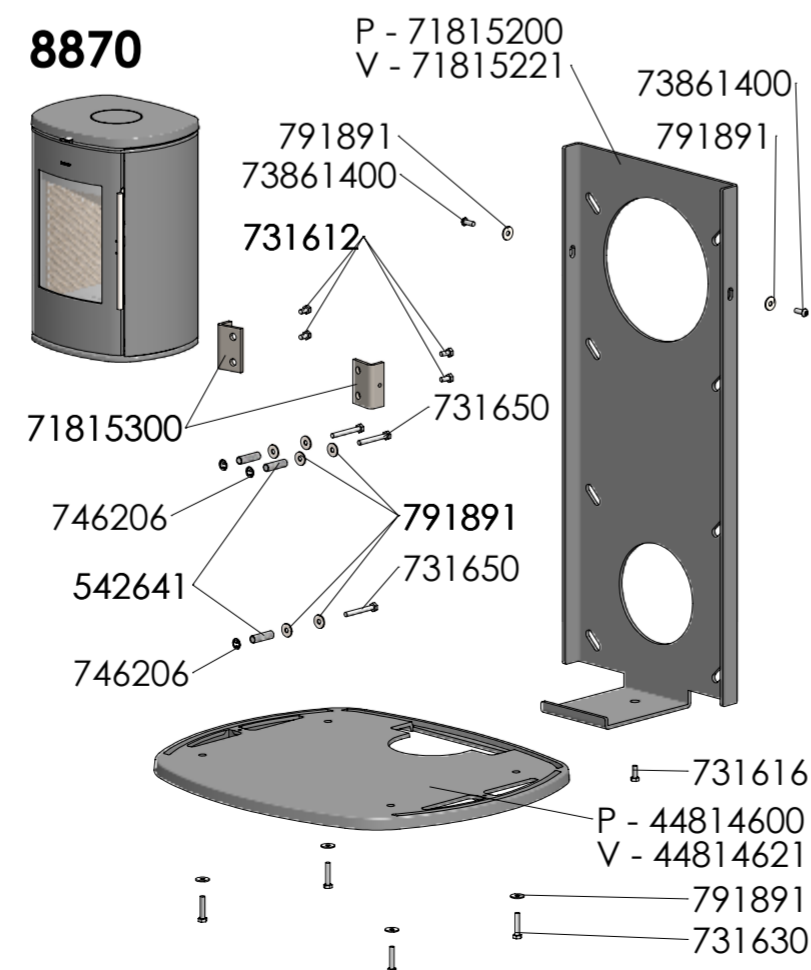
8848



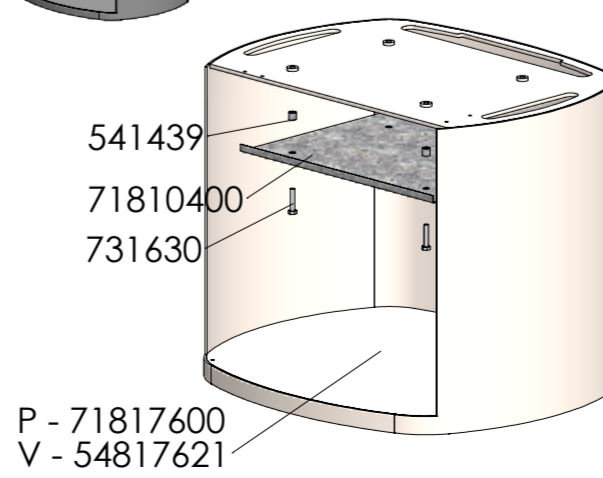
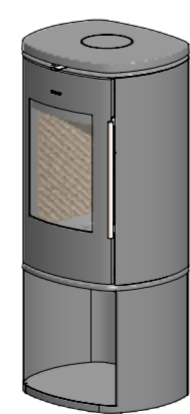
DIN



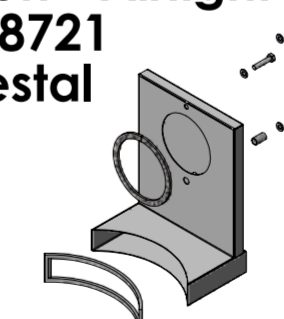
8870



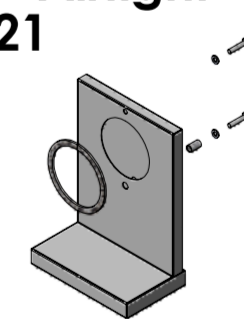
8893



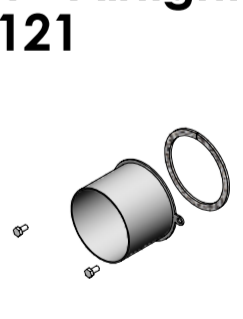
Option - Airtight 54818721 Pedestal



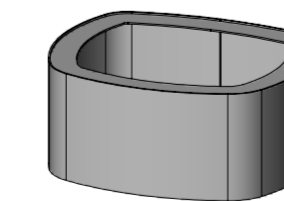
Option - Airtight 54818621 Base



Option - Airtight 54798121 Rear



Option - 54817321



Revision tabel			
REV.	DESCRIPTION	DATE	APPROVED
h	Changed front air canal	22-06-2020	NRN

Sign.: \_\_\_\_\_ Date: \_\_\_\_\_

Title:	Construction:	TOL	28.05.2015
<b>8800 N-EN &amp; DIN</b>	Released:		
<b>Reservedelstegning</b>	Format:	<b>A2</b>	
<b>Morsø 8800</b>	Scale:	-	
	Itemno.:		
	Drawing no.:	<b>8100-505 h</b>	

Material:	
Weight:	
Model no.:	
Drawingtype:	Exploderet tegning
Location of file:	C:\Working\8100 Samling\8100.dwg