

7. CARE AND CLEANING

- Always disconnect the appliance and allow it to cool before cleaning.
- Remove all attachments.
- Refer to the symbols on each part to determine if it is dishwasher safe.
- Do not use abrasive cleaning agents or scrub sponges on the non-metal parts, as it may scratch the surface.
- Do not use sharp utensils.
- Inspect your hand blender regularly. If there are any signs of damage to the product, such as cracks, tearing, corrosion or other potential defects, please refrain from using it any further. Contact the location where you have bought the product to evaluate whether it is still safe to use.

Power handle

- Wipe with a soft, damp cloth
- Do not immerse in water or other liquids

Beaker and blender shaft

- Hand wash with detergent or in dishwasher (if applicable)

Chopper

- Lid: wipe only
- Bowl, blade and anti-slip base/lid: Hand wash with detergent or in dishwasher (if applicable).

Whisk

- Metal whisk: Hand wash with detergent or in dishwasher (if applicable)
- Adapter: Wipe with a damp cloth. Do not clean in the dishwasher!

Storage

Store the appliance in a cool, dry and well-ventilated place.

8. SERVICE AND SAFETY

- Servicing must be carried out by authorised personnel only.
- Allow the appliance to rest for at least 2 minutes between cycles.
- Do not operate continuously for extended periods.
- Always reattach blade protection after cleaning.

Technical Information

- Power consumption (OFF mode): 0.1W
- Period after which the equipment reaches automatically OFF mode: 0 minute

Disposal

This product must not be disposed of with household waste.

Please return it to an appropriate collection point for recycling in accordance with local regulations.

Subject to corrections and printing errors. 2026 // 72994321 // UK



Keep your purchase receipt, as it will be needed in case of warranty claims.

www.morsoe.com


morso
DANISH DESIGN SINCE 1853



Striato Hand Blender

Model: HB997AG143

220-240V ~ 50/60Hz, 800W

USER MANUAL - UK

PLEASE READ AND RETAIN THESE INSTRUCTIONS

Designed for everyday use, the Striato Hand Blender combines functionality with a calm and considered design.

To ensure safe and optimal performance, please read these instructions carefully before use.

1. SAFETY AND USE

- Read all instructions before using the appliance.
- This appliance shall not be used by children. Keep the appliance and its cord out of reach of children.
- The appliance can be used by persons with reduced physical, sensory or mental capabilities or lack of experience and knowledge if they have been given supervision or instruction concerning use of the appliance in a safe way and understand the hazards involved.
- If the power cord is damaged, it must be replaced by qualified personnel.
- The appliance is not intended for operation via external timers or remote-control systems.
- Failure to comply with the instructions for use may make the item unsuitable for use in contact with food.

This appliance is intended for everyday use in:

- Private homes
- Staff kitchens and working environments
- Hotels, motels and similar residential settings
- Bed and breakfast environments
- Do not operate the appliance if it is damaged or malfunctioning.
- Do not immerse the power handle, cord or plug in water or other liquids.
- Do not operate the appliance with wet hands.
- Ensure all parts are correctly assembled before use.
- Switch off and disconnect the appliance before changing accessories or approaching moving parts.
- Keep hands, hair, clothing and utensils away from moving parts.
- Never touch blades or moving parts while the appliance is connected to the power supply.
- Blades are sharp – handle with care during use and cleaning.
- Never point the blades towards any person during operation.
- Do not add ingredients while the appliance is operating.
- Do not process hot oil or fat.
- Use caution when blending hot liquids, as they may be expelled due to steam.



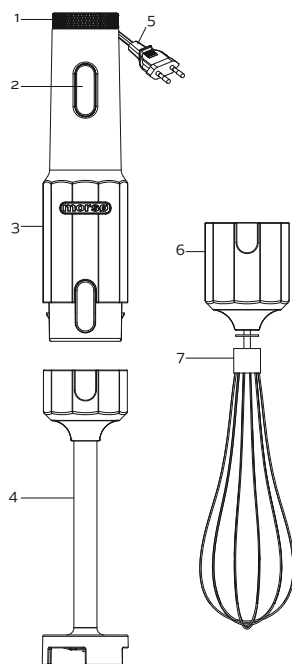
IMPORTANT

Only use this appliance as described in this manual. Incorrect use may result in injury or damage to the appliance.

- Do not operate continuously for extended periods (Max. 30 seconds), as this may cause the motor to overheat.
- Allow the appliance to cool to room temperature before reuse if it becomes hot.
- Do not process very hard ingredients.
- Do not exceed the maximum quantities or operating times specified in this manual.

2. DESCRIPTION OF PARTS

1. Speed control knob
2. ON/OFF knob
3. Power handle
4. Detachable blender shaft
5. Power cord
6. Whisk adapter
7. Whisk
8. Beaker lid
9. Beaker
10. Chopper lid
11. Chopper blade unit
12. Chopper bowl
13. Anti-slip base and lid



3. PERFORMANCE

- High performance with low noise and vibration
- Adjustable speed control
- Rated power: 220–240V ~ 50/60Hz, 800W

4. INTENDED USE

Hand Blender

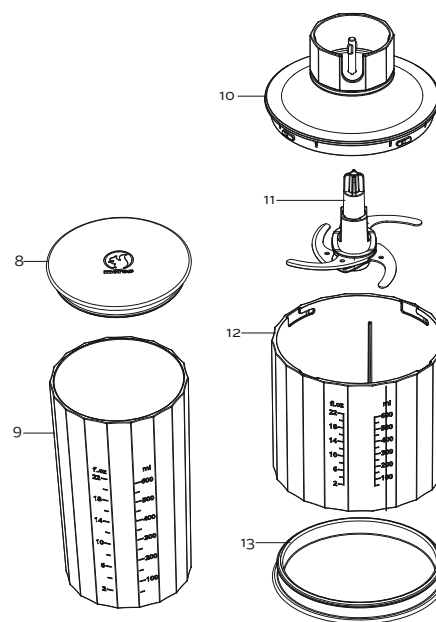
- Blending liquids such as soups, sauces and smoothies
- Mixing soft ingredients
- Pureeing cooked food

Chopper

- Chopping meat (max. 200 g), nuts, onions and similar ingredients

Whisk

- Whipping cream and egg whites



5. OPERATION

Before First Use

- Remove all packaging materials and protective covers.
- Clean all parts that come into contact with food.
- Ensure that the power cord is not damaged before use.
- Ensure the mains voltage matches the appliance specifications.

Using the Hand Blender

- Attach the blender shaft to the power handle until it clicks into place.
- Fill ingredients into the beaker. Do not exceed the maximum indicated level.
- Connect the appliance to the power supply.
- Select the desired speed.
- Immerse the blade fully in the ingredients.
- Start the appliance and blend using gentle up-and-down movements.
- Disconnect from the power supply after use.

Note:

- Maximum continuous operation: 30 seconds
- Allow the appliance to cool between cycles

Using the Chopper

- Insert the blade unit into the chopper bowl.
- Add ingredients. Do not exceed the maximum indicated level.
- Attach the lid and secure the power handle.
- Operate using short pulses.

Note:

- Maximum operation time: 10 seconds

Using the Whisk

- Attach the whisk to the adapter, then connect to the power handle.
- Start at a low speed to prevent splashing.
- Move the appliance gently while mixing.

Note:

- Maximum operation time: 3 minutes

6. PROCESSING GUIDE

Refer to the recommended quantities and operating times in this manual. Do not exceed maximum capacities or processing times.